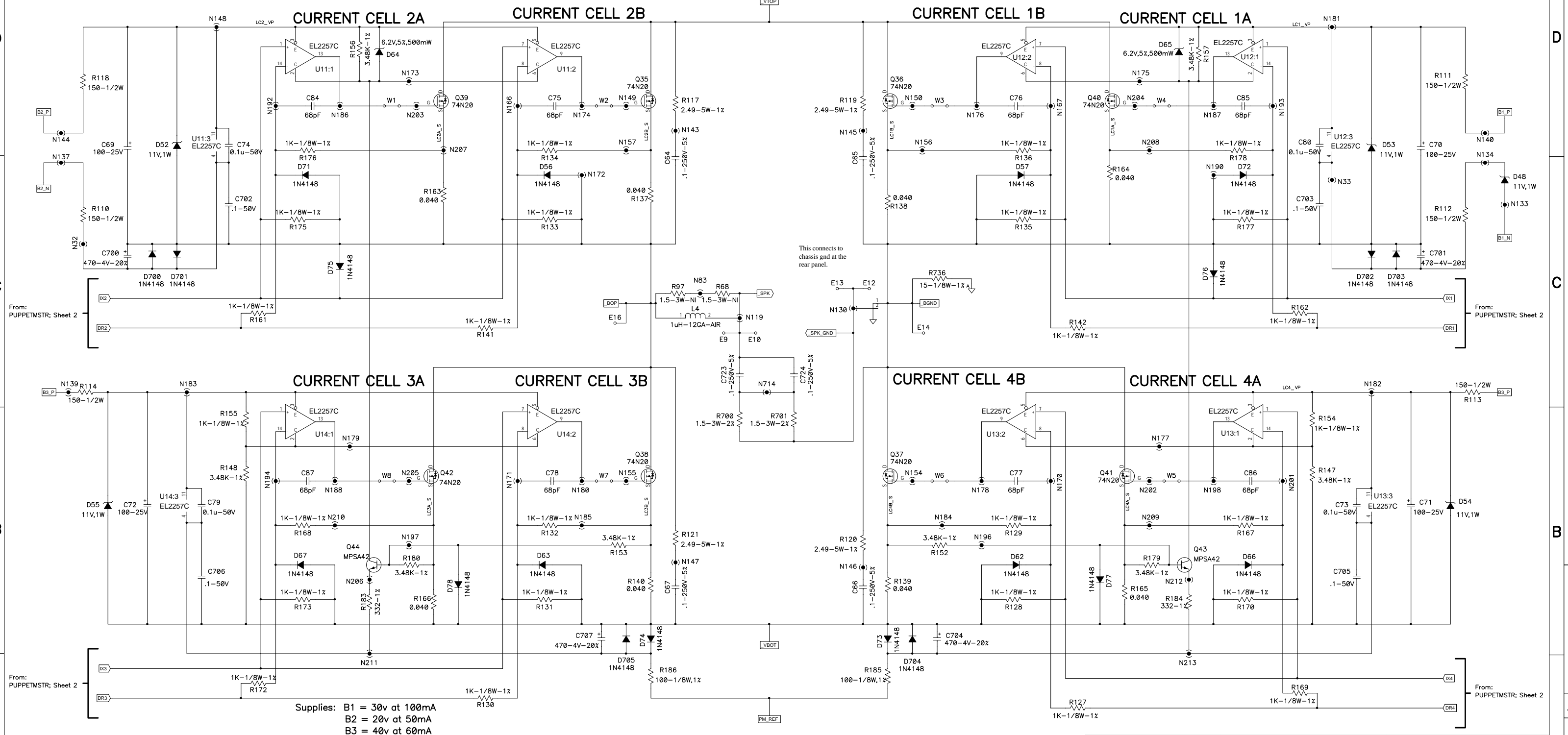


THIS DOCUMENT CONTAINS PROPRIETARY INFORMATION WHICH IS THE PROPERTY OF QSC AUDIO PRODUCTS. THAT MAY NOT BE DISCLOSED, REPRODUCED OR USED WITHOUT EXPRESS WRITTEN CONSENT FROM QSC AUDIO PRODUCTS.

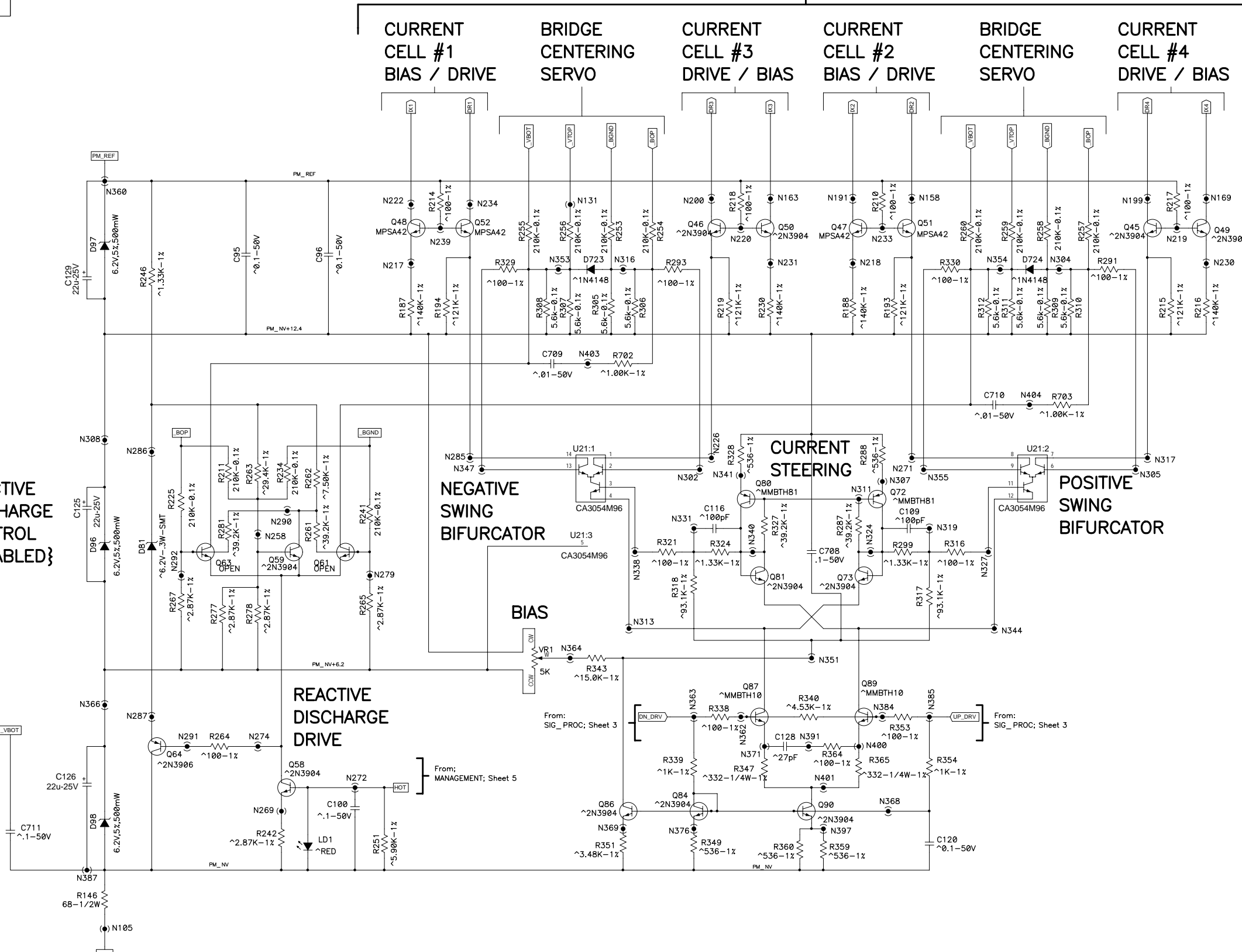
LC_OUTPUTS



THIS DOCUMENT CONTAINS PROPRIETARY INFORMATION WHICH IS THE PROPERTY OF QSC AUDIO PRODUCTS, THAT MAY NOT BE DISCLOSED, REPRODUCED OR USED WITHOUT EXPRESS WRITTEN CONSENT FROM QSC AUDIO PRODUCTS.

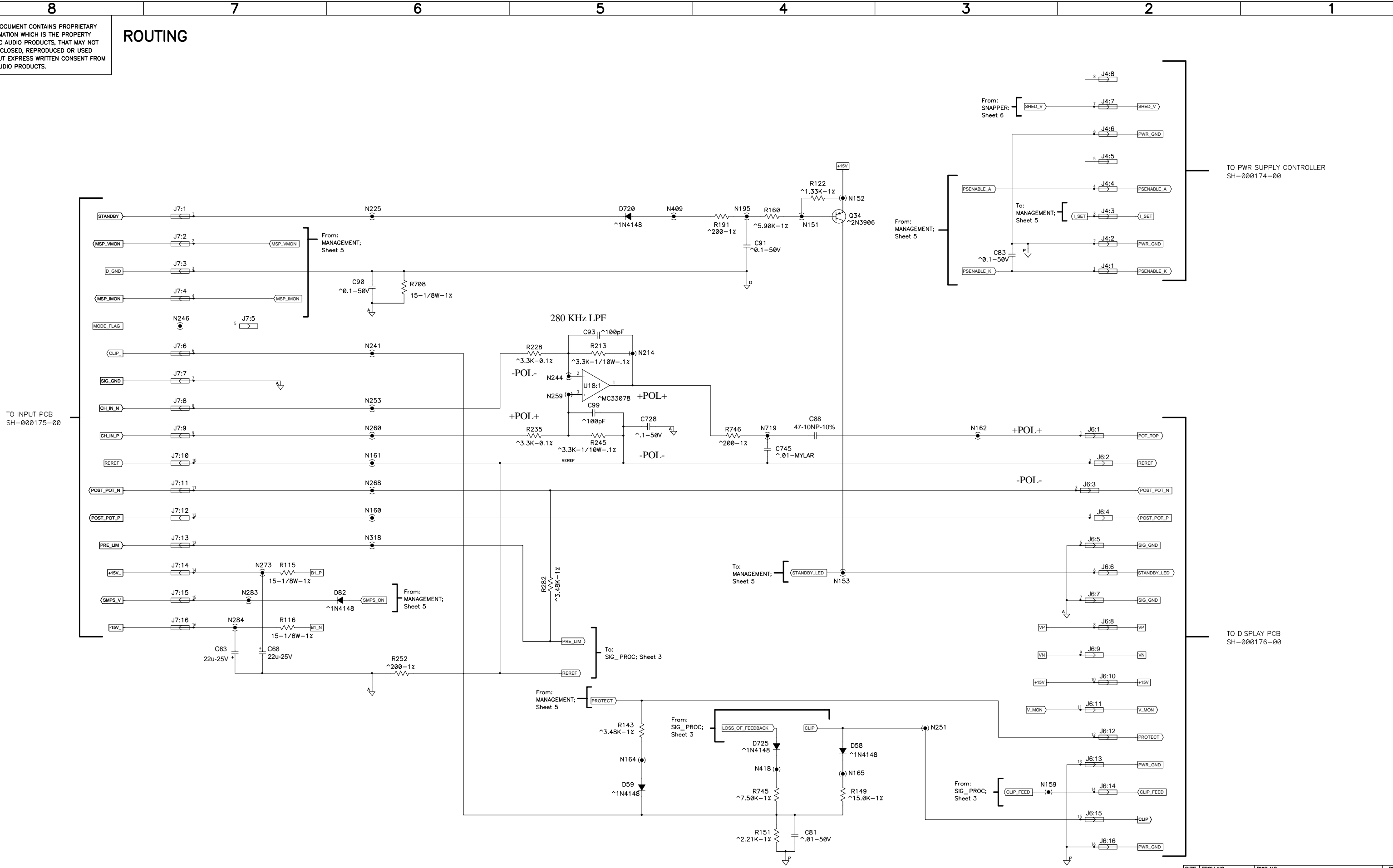
PUPPETMSTR

To:
LC_OUTPUTS; Sheet 1



THIS DOCUMENT CONTAINS PROPRIETARY INFORMATION WHICH IS THE PROPERTY OF QSC AUDIO PRODUCTS, THAT MAY NOT BE DISCLOSED, REPRODUCED OR USED WITHOUT EXPRESS WRITTEN CONSENT FROM QSC AUDIO PRODUCTS.

ROUTING

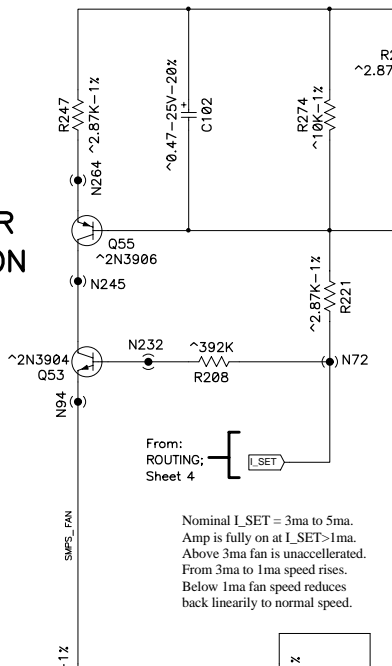


DWG NO. SH-000171-00
 REV. 4

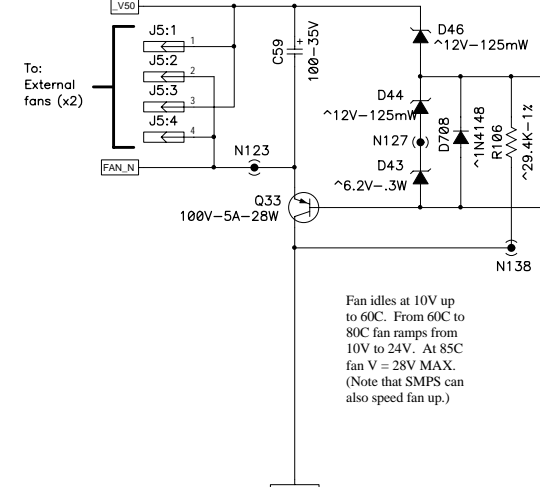
THIS DOCUMENT CONTAINS PROPRIETARY INFORMATION WHICH IS THE PROPERTY OF QSC AUDIO PRODUCTS, THAT MAY NOT BE DISCLOSED, REPRODUCED OR USED WITHOUT EXPRESS WRITTEN CONSENT FROM QSC AUDIO PRODUCTS.

MANAGEMENT

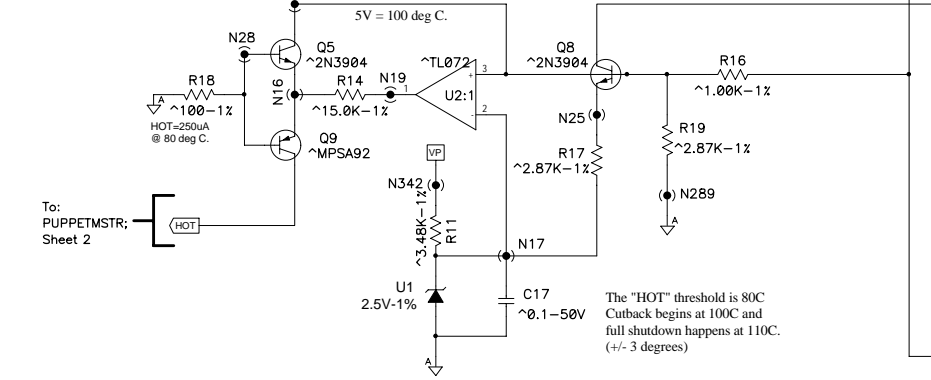
AMPLIFIER ACTIVATION CIRCUIT



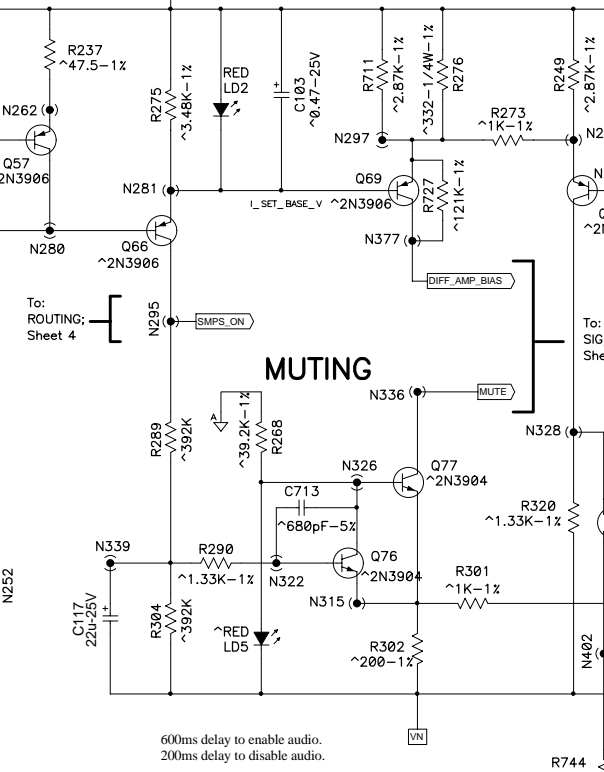
FAN CONTROL



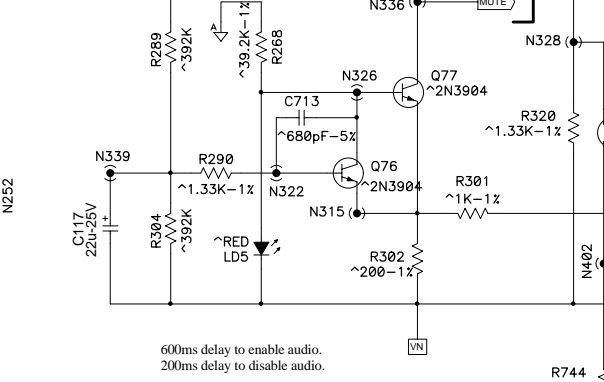
OVERTEMP KILL / REACTIVE DISCHARGE CONTROL



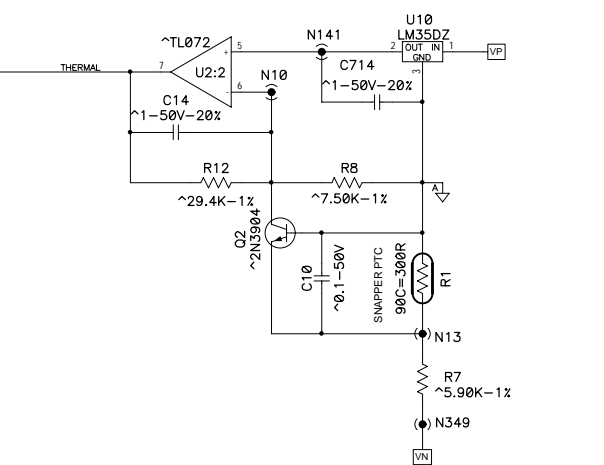
DIFF-AMP BIAS



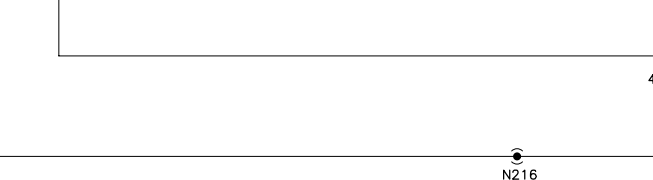
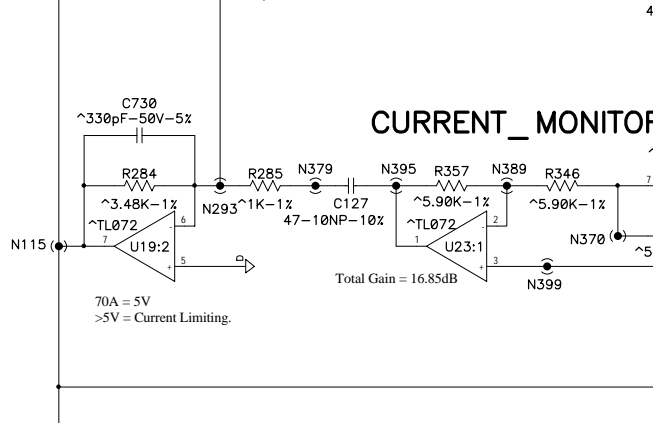
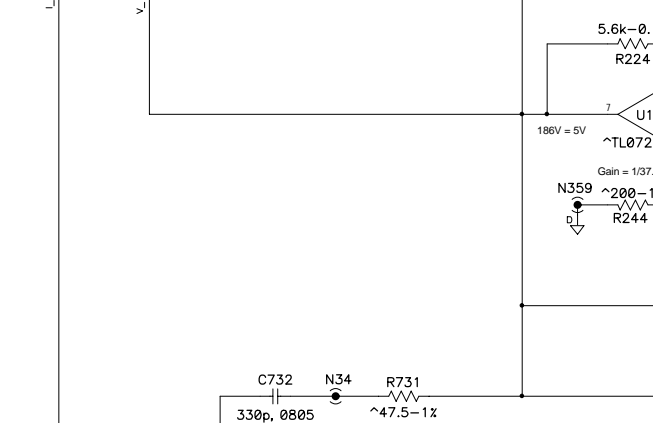
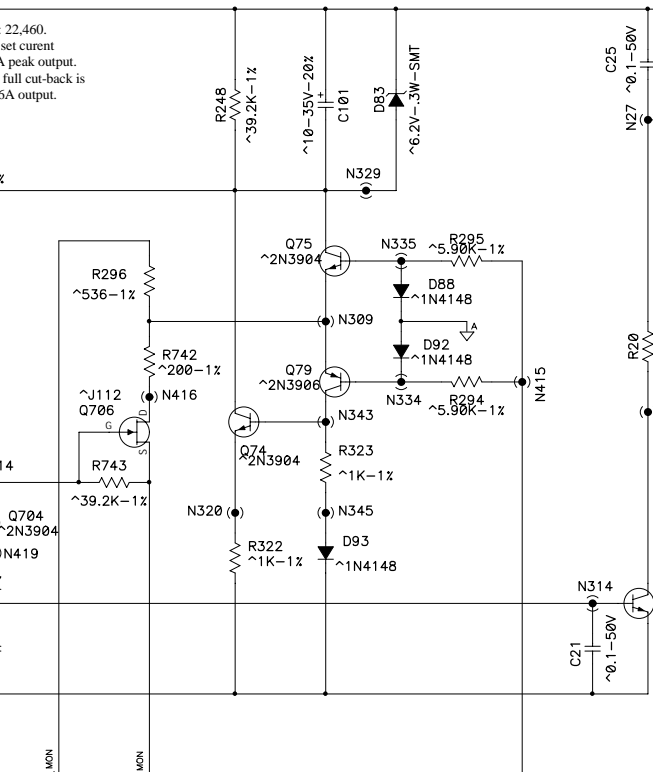
MUTING



THERMAL

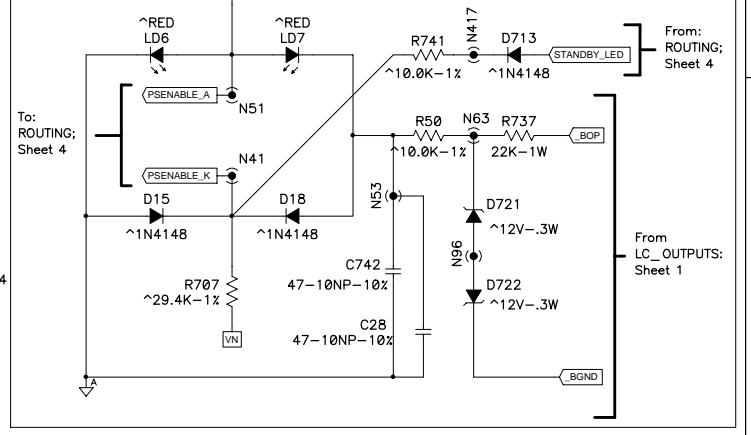


CURRENT CUTBACK

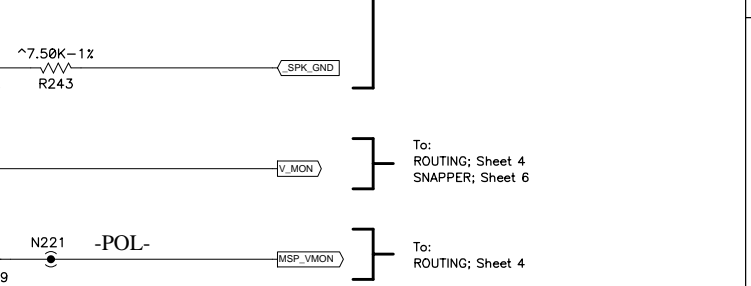


PROTECT DRIVE

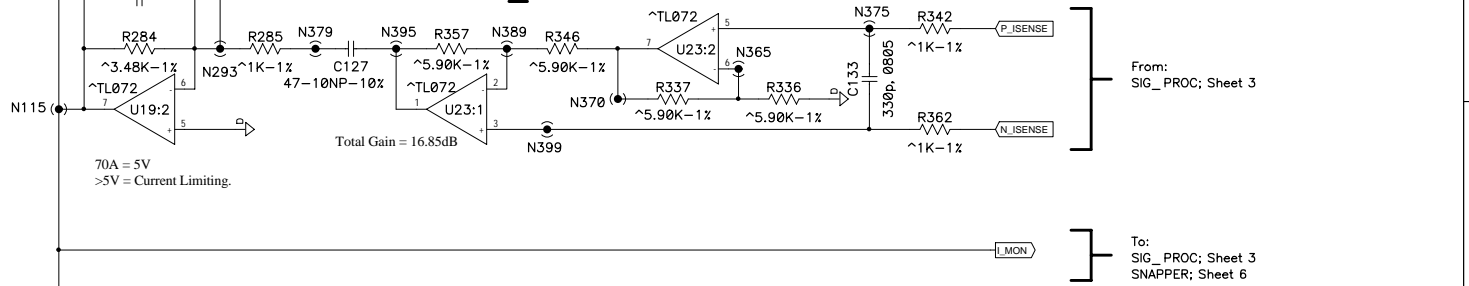
DC_PROTECTION via POWER SUPPLY KILL



VOLTAGE_MONITORING

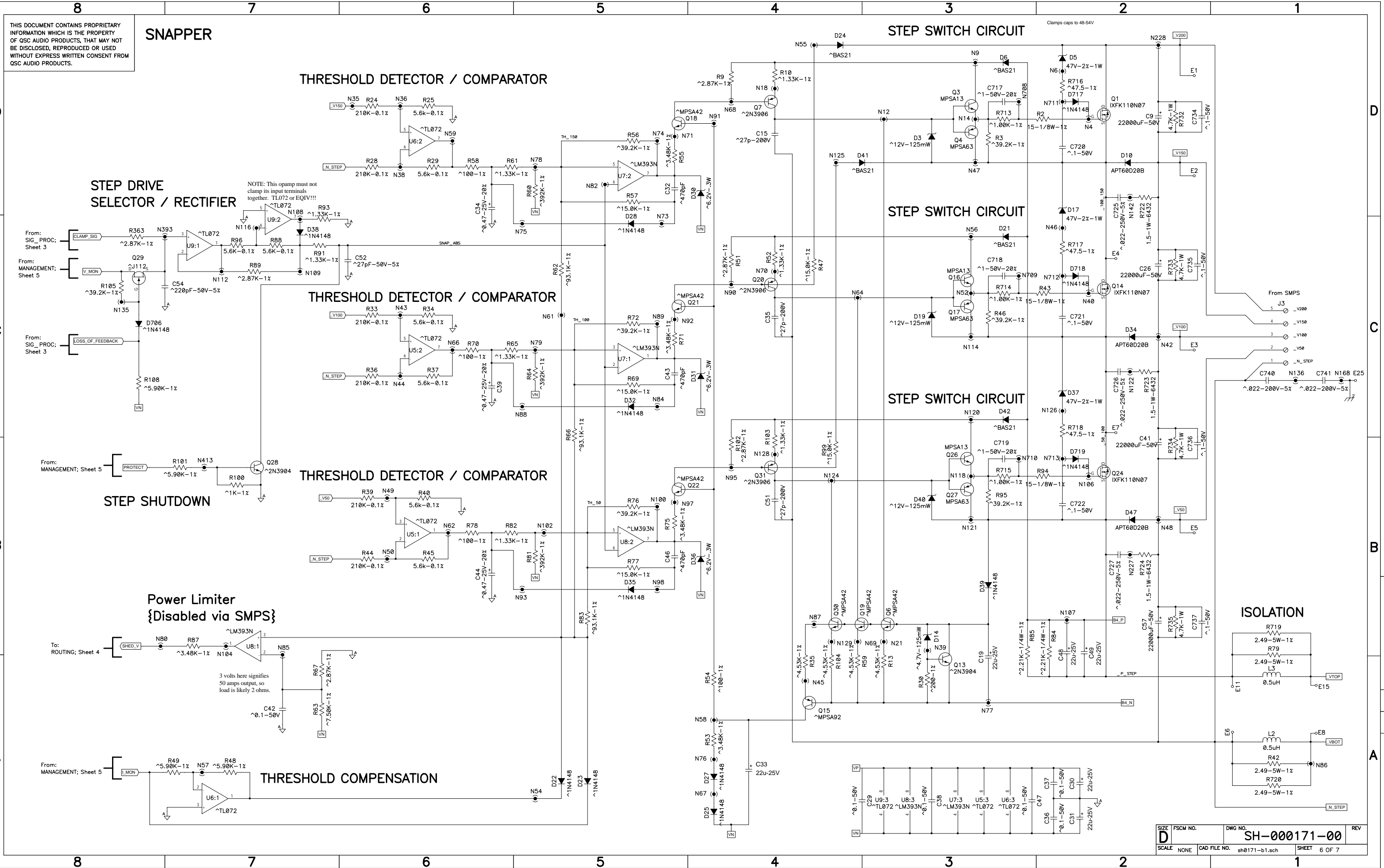


CURRENT_MONITORING



THIS DOCUMENT CONTAINS PROPRIETARY INFORMATION WHICH IS THE PROPERTY OF QSC AUDIO PRODUCTS, THAT MAY NOT BE DISCLOSED, REPRODUCED OR USED WITHOUT EXPRESS WRITTEN CONSENT FROM QSC AUDIO PRODUCTS.

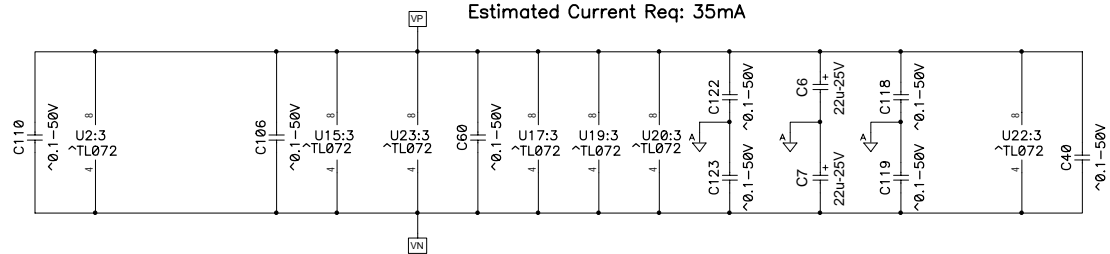
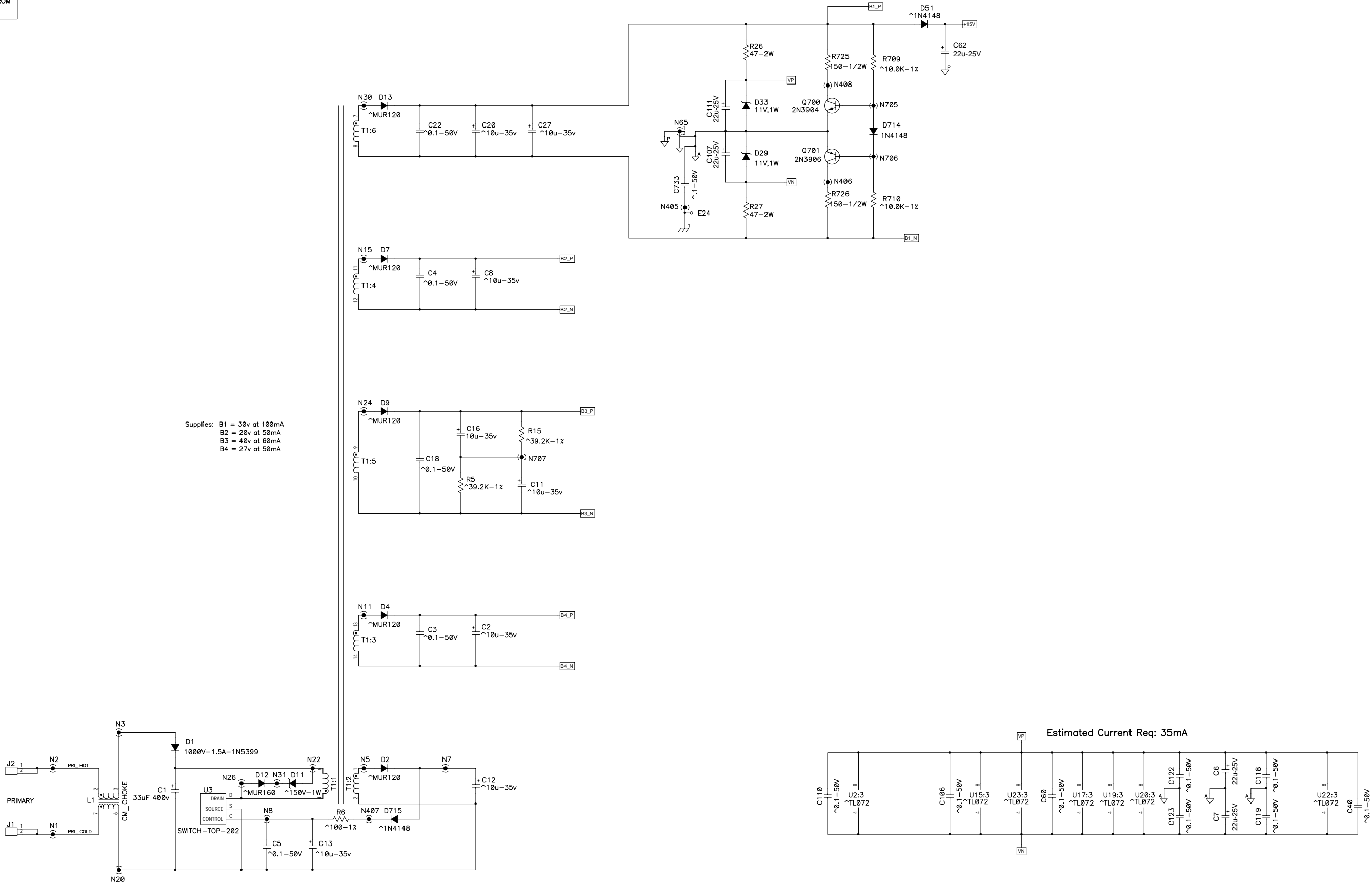
SNAPPER



THIS DOCUMENT CONTAINS PROPRIETARY INFORMATION WHICH IS THE PROPERTY OF QSC AUDIO PRODUCTS, THAT MAY NOT BE DISCLOSED, REPRODUCED OR USED WITHOUT EXPRESS WRITTEN CONSENT FROM QSC AUDIO PRODUCTS.

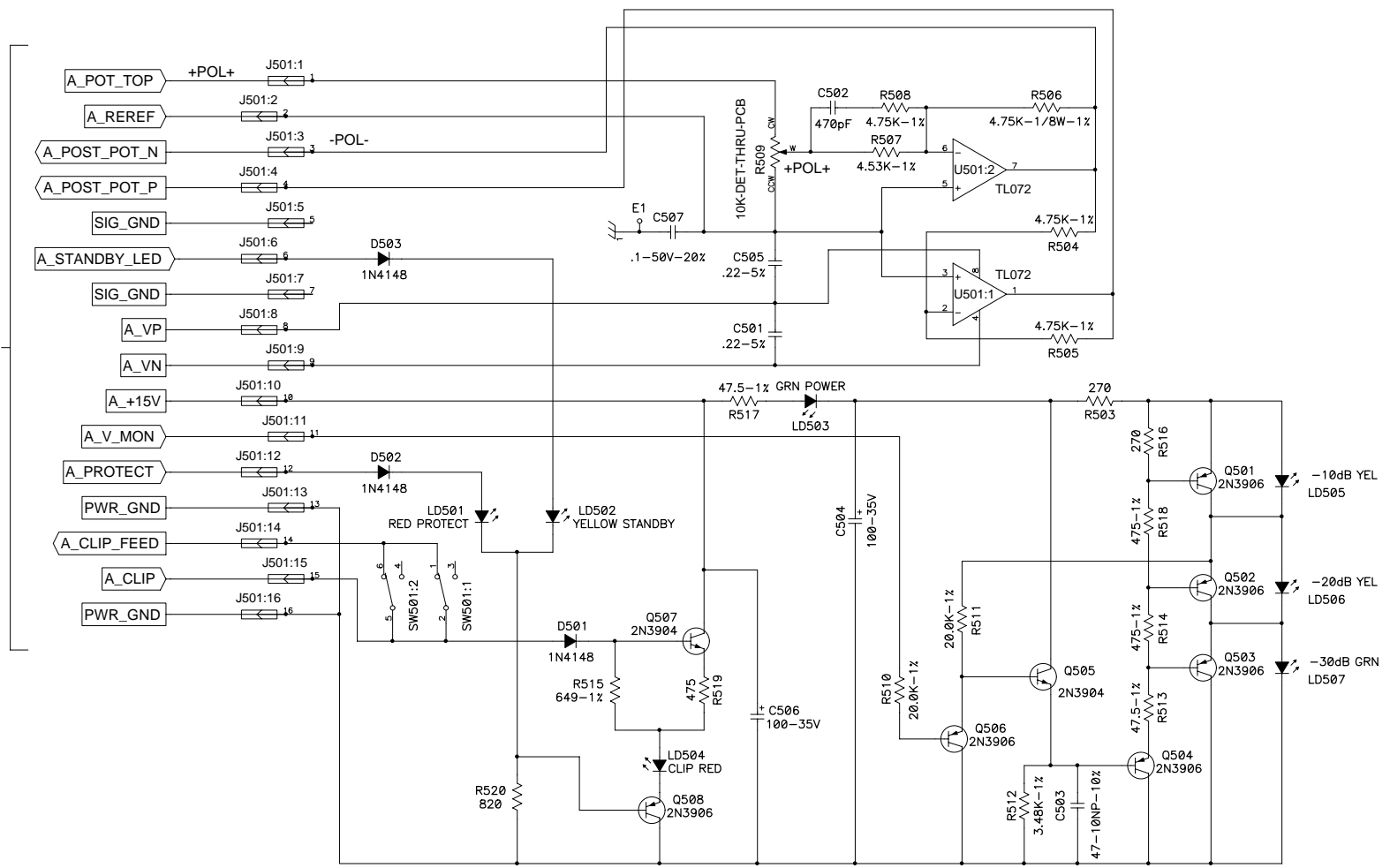
HK_SUPPLY

Supplies: B1 = 30v at 100mA
 B2 = 20v at 50mA
 B3 = 40v at 60mA
 B4 = 27v at 50mA



THIS DOCUMENT CONTAINS PROPRIETARY INFORMATION WHICH IS THE PROPERTY OF QSC AUDIO PRODUCTS, THAT MAY NOT BE DISCLOSED, REPRODUCED OR USED WITHOUT EXPRESS WRITTEN CONSENT FROM QSC AUDIO PRODUCTS.

TO MAIN PCB
SH-000171-00
SHEET 4



- 4. CH 1 COMPONENTS NUMBERED 501-599.
CH2 COMPONENTS NUMBERED 601-699.
 - 3. ALL CAPACITORS ARE IN MICROFARADS.
 - 2. ALL RESISTORS ARE IN OHMS, 1/4W, 5%.
 - 1. THIS DRAWING USED IN CONJUNCTION WITH ASSEMBLY WP-000176-00
AND FABRICATION DRAWING PC-000176-00.
- NOTES: UNLESS OTHERWISE SPECIFIED

QTY	ITEM NO.	PART NO.	DESCRIPTION	VENDOR
PARTS LIST				
UNLESS OTHERWISE SPECIFIED DIMENSIONS ARE IN INCHES. DIMENSIONS PER ANSI Y14.5-1982 TOLERANCES ARE: DECIMALS DECIMALS ANGLES .XX ± .XXX ± °			CONTRACT NO.	
MATERIAL			APPROVALS DATE	
FINISH			DRAWN P. Ierymenko 11-30-95	
NEXT ASSY			CHECKED RCM 5-13-98	
APPLICATION			ISSUED TIM SHOOK 5-15-98	
DO NOT SCALE DRAWING			CAD SEED FILE NO. PLOT DATE: The May 04, 2000	
SCALE NONE		CAD FILE NO. SH176-b.sch		SHEET 1 OF 2

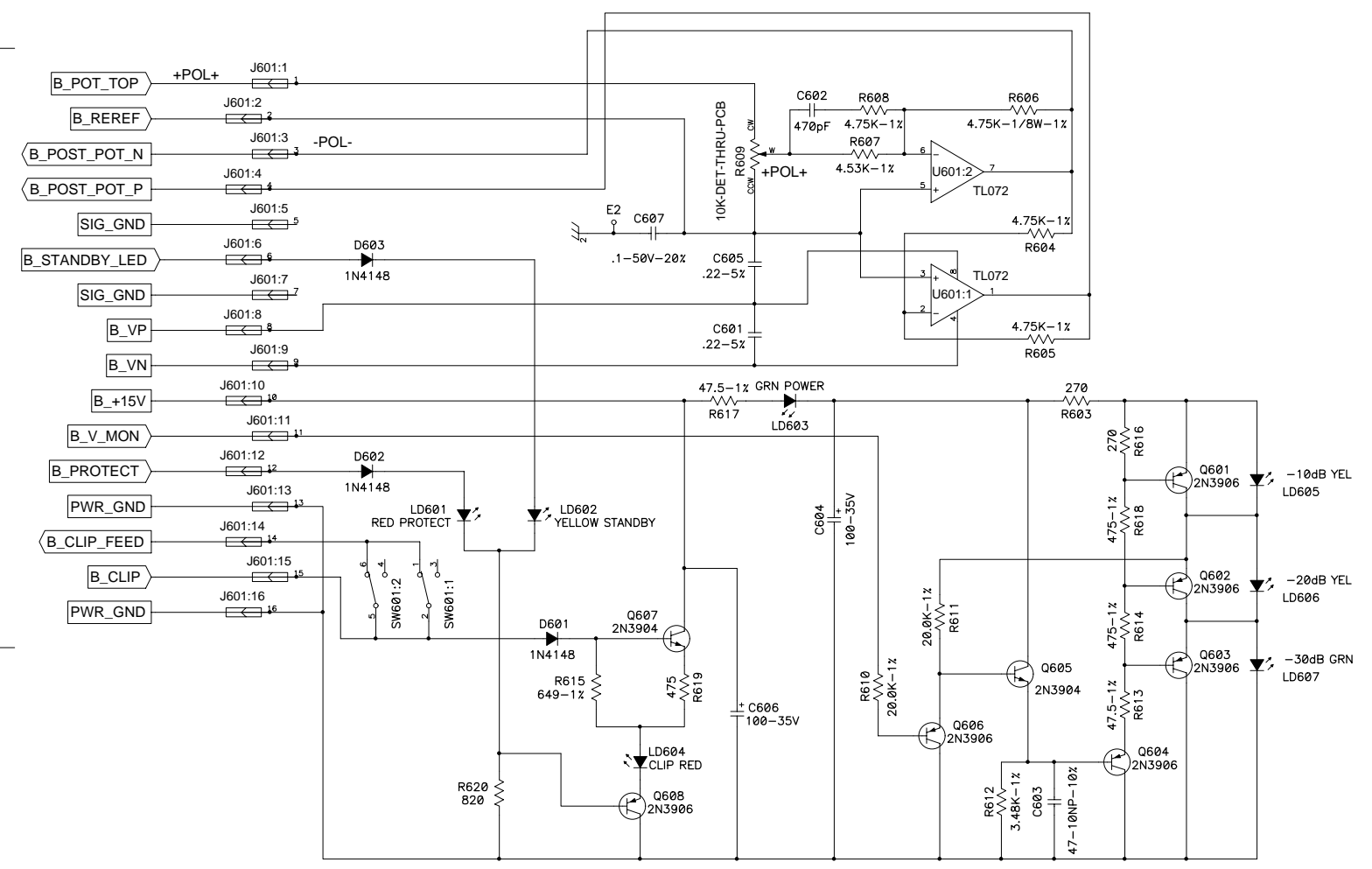
QSC AUDIO PRODUCTS, INC.
COSTA MESA, CALIFORNIA

SCHEMATIC DIAGRAM
DISPLAY PCB, PL 9.0 & 6.0

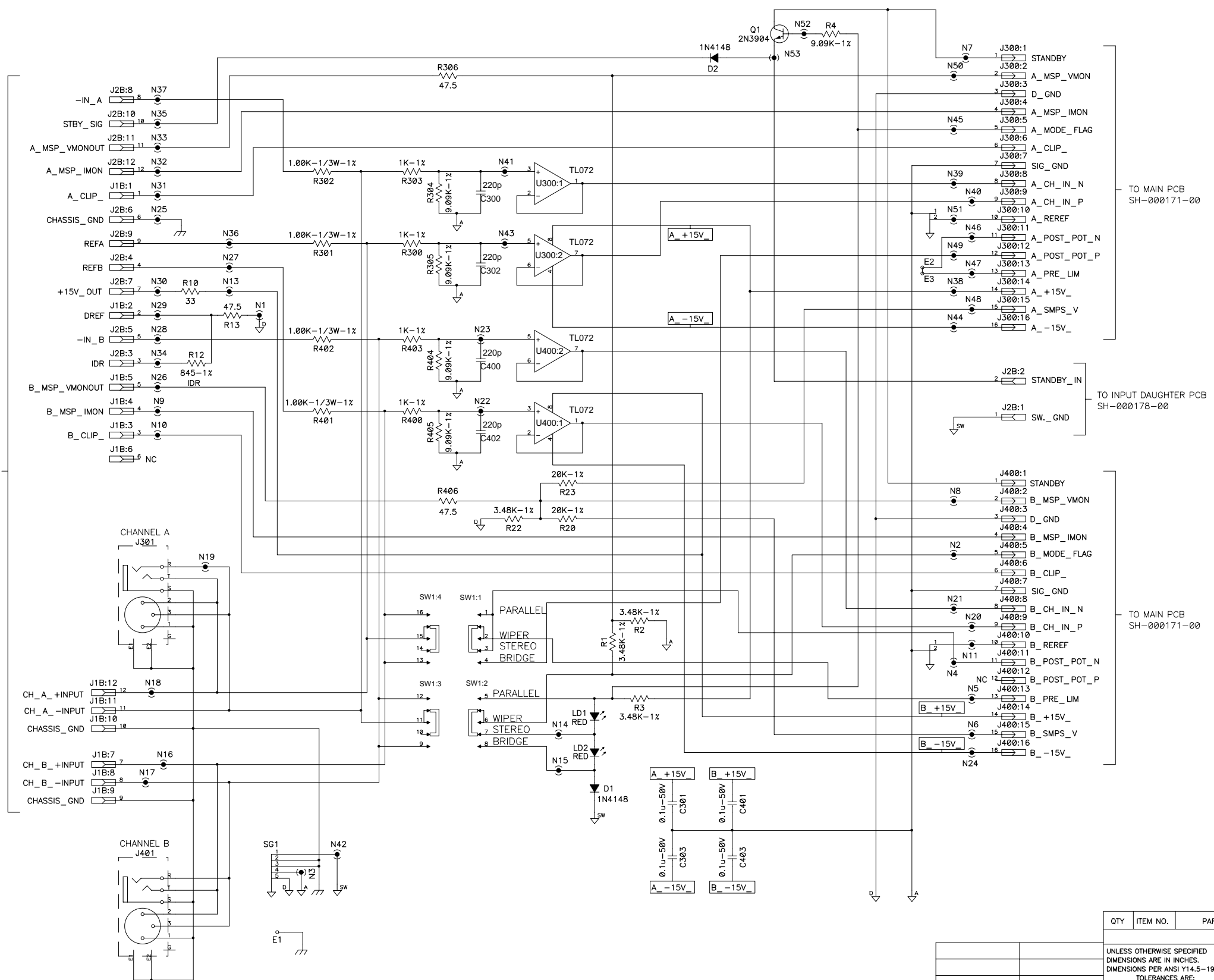
SIZE **D** FSCM NO. DWG NO. **SH-000176-00** REV

THIS DOCUMENT CONTAINS PROPRIETARY INFORMATION WHICH IS THE PROPERTY OF QSC AUDIO PRODUCTS, THAT MAY NOT BE DISCLOSED, REPRODUCED OR USED WITHOUT EXPRESS WRITTEN CONSENT FROM QSC AUDIO PRODUCTS.

TO MAIN PCB
SH-000171-00
SHEET 4



THIS DOCUMENT CONTAINS PROPRIETARY INFORMATION WHICH IS THE PROPERTY OF QSC AUDIO PRODUCTS, THAT MAY NOT BE DISCLOSED, REPRODUCED OR USED WITHOUT EXPRESS WRITTEN CONSENT FROM QSC AUDIO PRODUCTS.



1. THIS DRAWING USED IN CONJUNCTION WITH ASSEMBLY WP-000175-00 AND FABRICATION DRAWING PC-000175-00.

NOTES: UNLESS OTHERWISE SPECIFIED

QTY	ITEM NO.	PART NO.	DESCRIPTION	VENDOR
PARTS LIST				
UNLESS OTHERWISE SPECIFIED DIMENSIONS ARE IN INCHES. DIMENSIONS PER ANSI Y14.5-1982 TOLERANCES ARE:			CONTRACT NO.	
DECIMALS	DECIMALS	ANGLES	APPROVALS	DATE
.XX ±	.XXX ±	0	DRAWN P. Ierymenko	11-30-95
DEBURR EDGES .XXX R MAX MATERIAL			CHECKED	
WP-000175-00	PL 9.0	FINISH	ISSUED	SIZE D FSCM NO.
NEXT ASSY	USED ON		CAD SEED FILE NO.	DWG NO. SH-000175-00
APPLICATION			DO NOT SCALE DRAWING	SHEET 1 OF 1

QSC AUDIO PRODUCTS, INC.
COSTA MESA, CALIFORNIA

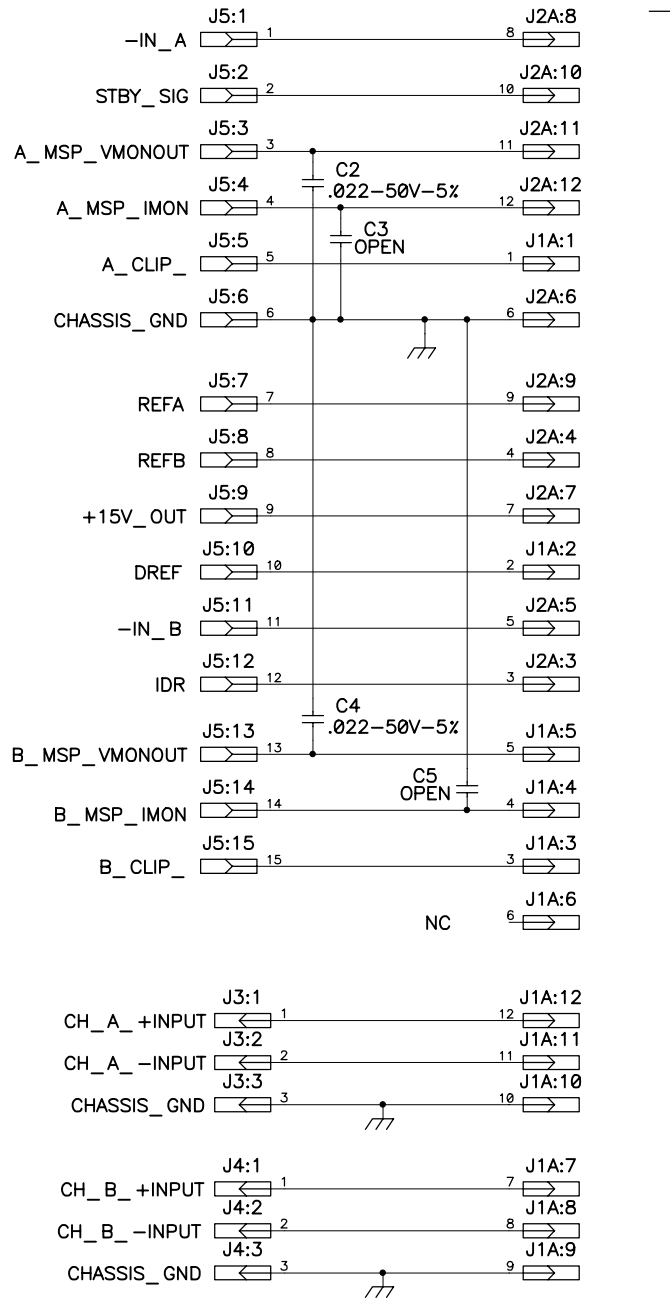
SCHEMATIC DIAGRAM
INPUT PCB, PL 9.0

SCALE NONE CAD FILE NO. sh175-a5.sch SHEET 1 OF 1

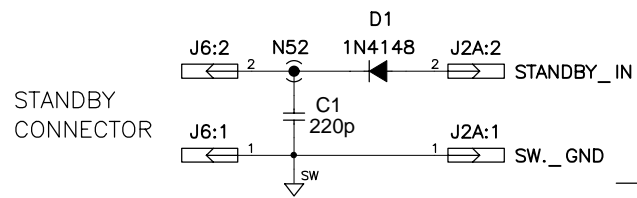
P:\MEGAMP\TANGO\INPUT

1 SH-000175-00 DWG NO.

THIS DOCUMENT CONTAINS PROPRIETARY INFORMATION WHICH IS THE PROPERTY OF QSC AUDIO PRODUCTS, THAT MAY NOT BE DISCLOSED, REPRODUCED OR USED WITHOUT EXPRESS WRITTEN CONSENT FROM QSC AUDIO PRODUCTS.



TO INPUT PCB
SH-000175-00

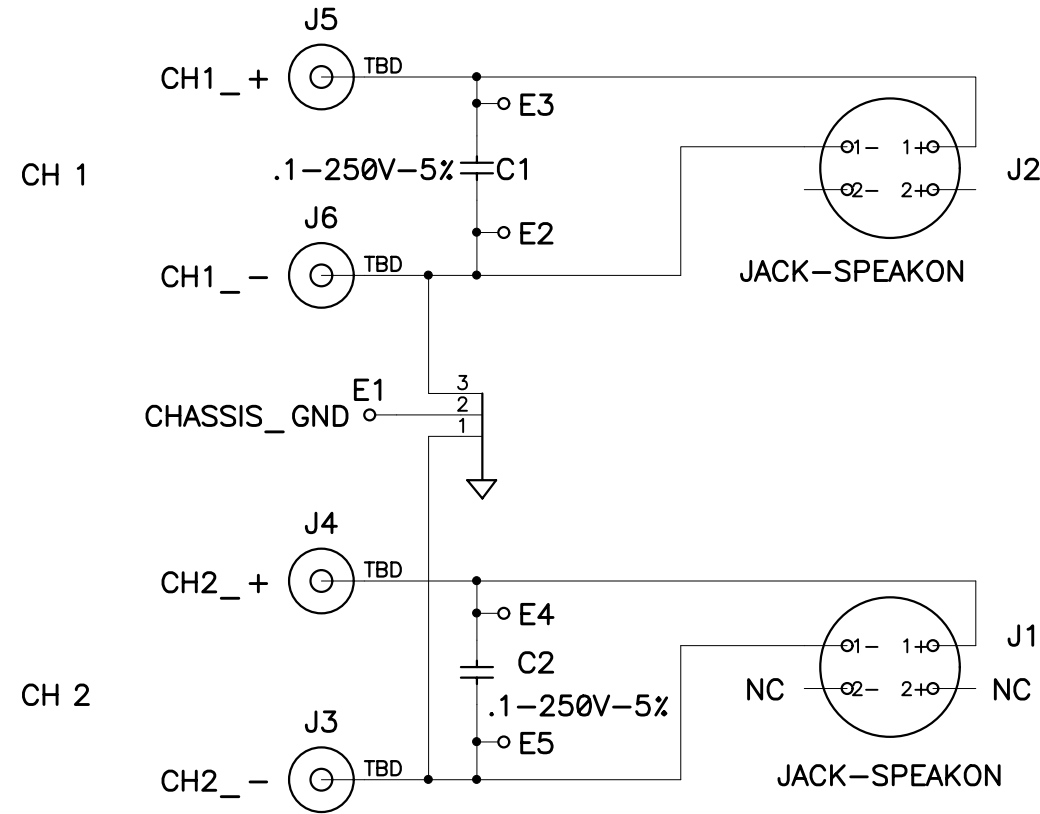


QTY	ITEM NO.	PART NO.	DESCRIPTION	VENDOR
PARTS LIST				
UNLESS OTHERWISE SPECIFIED DIMENSIONS ARE IN INCHES. DIMENSIONS PER ANSI Y14.5-1982 TOLERANCES ARE: DECIMALS DECIMALS ANGLES .XX ± .XXX ± 0 DEBURR EDGES .XXX R MAX MATERIAL			CONTRACT NO.	
FINISH			AUDIO PRODUCTS, INC. COSTA MESA, CALIFORNIA	
NEXT ASSY USED ON			APPROVALS	DATE
APPLICATION			DRAWN A. CERRILLO	3-18-96
DO NOT SCALE DRAWING			CHECKED	
			ISSUED	
			SIZE	FSCM NO.
			C	
			DWG NO. SH-000178-00	
			CAD SEED FILE NO. SH0178-1.SCH	Thu May 04, 2000
			SCALE	CAD FILE NO. sh178-a3.sch
			SHEET	1 OF 1

**SCHEMATIC DIAGRAM
INPUT DAUGHTER PCB, PL9.0**

SH-000178-00

THIS DOCUMENT CONTAINS PROPRIETARY INFORMATION WHICH IS THE PROPERTY OF QSC AUDIO PRODUCTS, THAT MAY NOT BE DISCLOSED, REPRODUCED OR USED WITHOUT EXPRESS WRITTEN CONSENT FROM QSC AUDIO PRODUCTS.

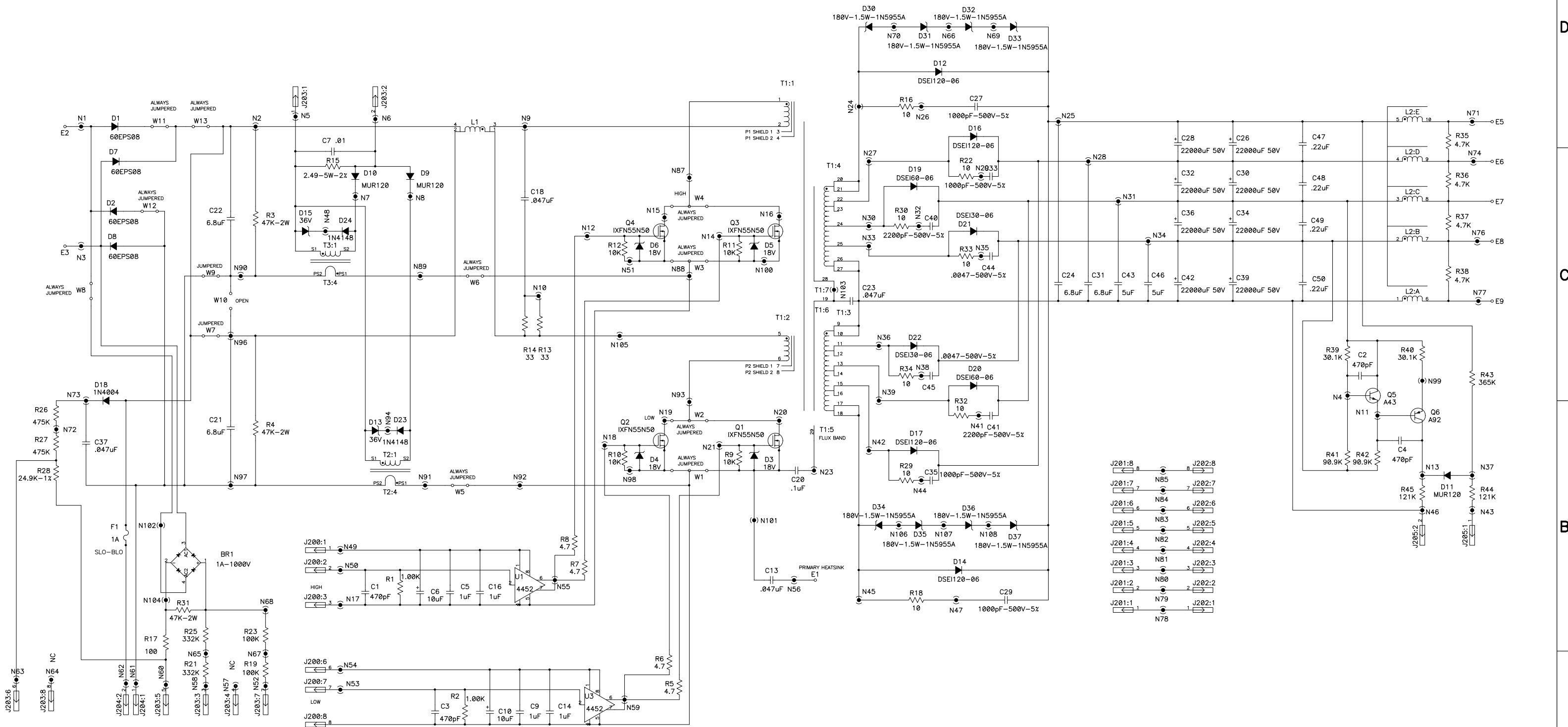


1. THIS DRAWING USED IN CONJUNCTION WITH ASSEMBLY WP-000179-00 AND FABRICATION DRAWING PC-000179-00.

NOTES: UNLESS OTHERWISE SPECIFIED

QTY	ITEM NO.	PART NO.	DESCRIPTION	VENDOR
PARTS LIST				
UNLESS OTHERWISE SPECIFIED DIMENSIONS ARE IN INCHES. DIMENSIONS PER ANSI Y14.5-1982 TOLERANCES ARE: DECIMALS DECIMALS ANGLES .XX ± .XXX ± 0 DEBURR EDGES .XXX R MAX MATERIAL			CONTRACT NO.	
			APPROVALS	DATE
			DRAWN A. CERRILLO	6-11-97
			CHECKED	
			ISSUED	
			CAD SEED FILE NO.	PLOT DATE: Thu May 04, 2000
WP-000179-00		PL 9.0	AUDIO PRODUCTS, INC. COSTA MESA, CALIFORNIA SCHEMATIC DIAGRAM OUTPUT PCB	
NEXT ASSY		USED ON		
APPLICATION		DO NOT SCALE DRAWING		SIZE B FSCM NO. DWG NO. SH-000179-00 REV
				SCALE NONE CAD FILE NO. sh0179-A.sch SHEET 1 OF 1

THIS DOCUMENT CONTAINS PROPRIETARY INFORMATION WHICH IS THE PROPERTY OF QSC AUDIO PRODUCTS, THAT MAY NOT BE DISCLOSED, REPRODUCED OR USED WITHOUT EXPRESS WRITTEN CONSENT FROM QSC AUDIO PRODUCTS.

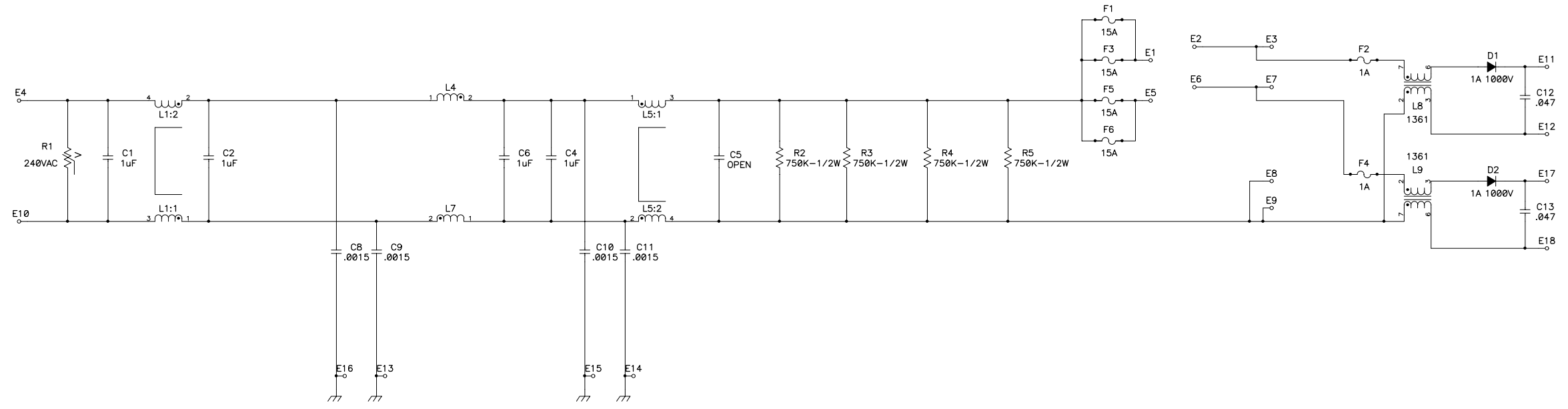


1. THIS DRAWING USED IN CONJUNCTION WITH ASSEMBLY WP-000173-00 AND FABRICATION DRAWING PC-000173-00.
 NOTES: UNLESS OTHERWISE SPECIFIED

QTY	ITEM NO.	PART NO.	DESCRIPTION	VENDOR
PARTS LIST				
UNLESS OTHERWISE SPECIFIED DIMENSIONS ARE IN INCHES. DIMENSIONS PER ANSI Y14.5-1982 TOLERANCES ARE:			CONTRACT NO. QSC AUDIO PRODUCTS, INC. COSTA MESA, CALIFORNIA	
DECIMALS	DECIMALS	ANGLES		
.XX ±	.XXX ±	0	SCHEMATIC DIAGRAM PWR SPLY PCB, PL 9.0 (120V)	
MATERIAL				
WP-000173-00	PL 9.0	FINISH	ISSUED	TIM SHOOK
NEXT ASSY	USED ON	APPLICATION	CAD SEED FILE NO.	PLOT DATE: Thu May 04, 2000
DO NOT SCALE DRAWING			SCALE	NONE
			CAD FILE NO.	sh173-E.sch
			SIZE	FSCM NO.
			DWG NO.	SH-000173-00
			REV	1
			SHEET	1 OF 1

1 SH-000173-00 DWG NO.

THIS DOCUMENT CONTAINS PROPRIETARY INFORMATION WHICH IS THE PROPERTY OF QSC AUDIO PRODUCTS, THAT MAY NOT BE DISCLOSED, REPRODUCED OR USED WITHOUT EXPRESS WRITTEN CONSENT FROM QSC AUDIO PRODUCTS.



1. THIS DRAWING USED IN CONJUNCTION WITH ASSEMBLY WP-000181-00 AND FABRICATION DRAWING PC-000177-00.
 NOTES: UNLESS OTHERWISE SPECIFIED

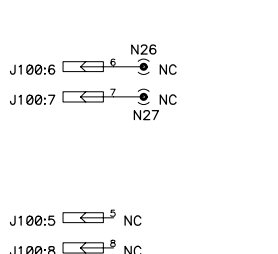
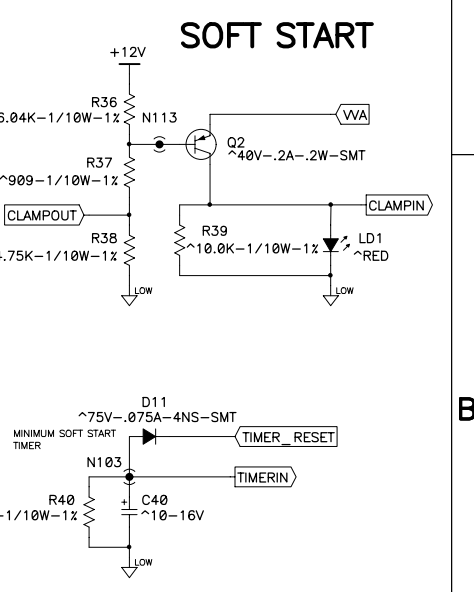
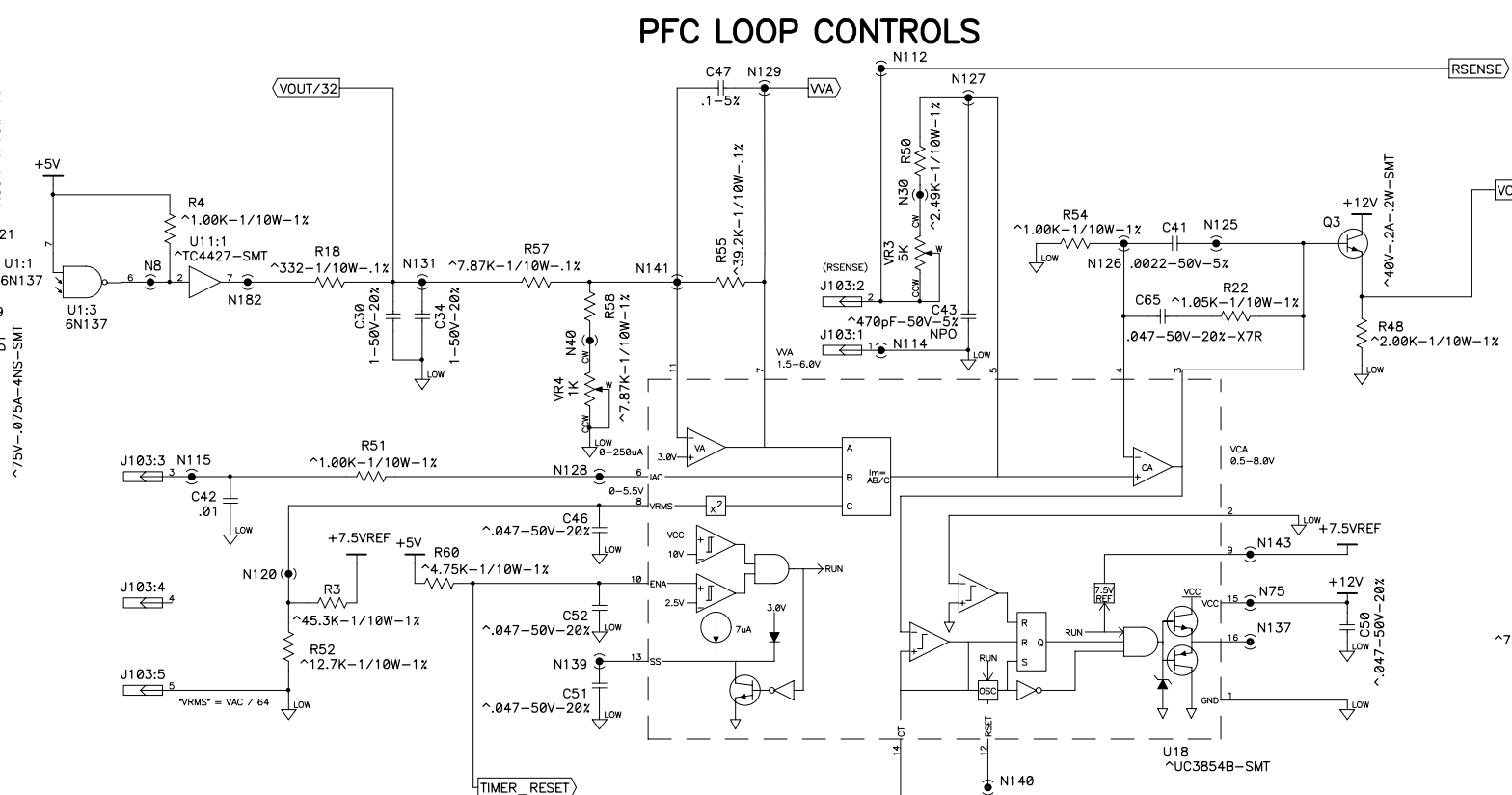
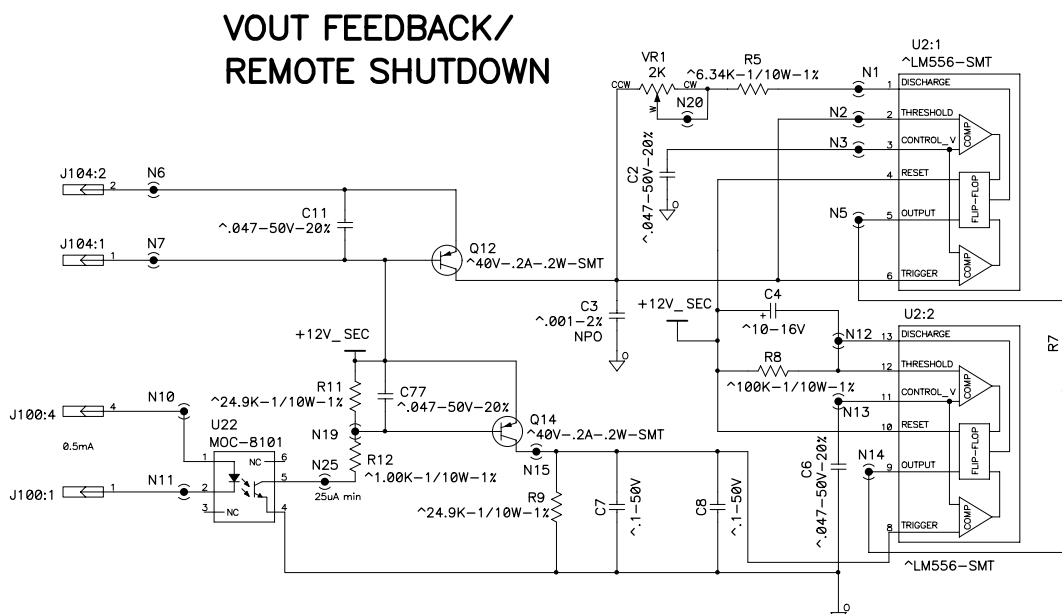
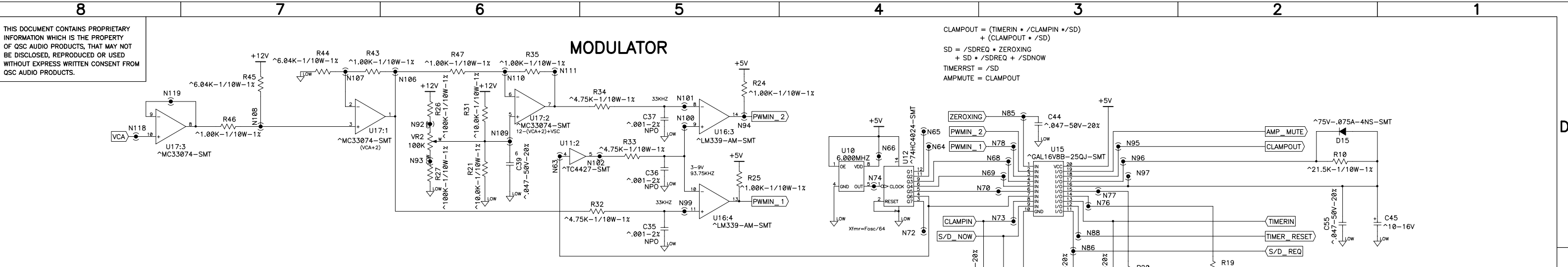
QTY	ITEM NO.	PART NO.	DESCRIPTION	VENDOR
PARTS LIST				
UNLESS OTHERWISE SPECIFIED DIMENSIONS ARE IN INCHES. DIMENSIONS PER ANSI Y14.5-1982 TOLERANCES ARE: DECIMALS DECIMALS ANGLES .XX ± .XXX ± °			CONTRACT NO.	
DRAWN ERIC MENDENHALL			APPROVALS DATE	
CHECKED RCM			5-14-98	
ISSUED TIM SHOOK			5-15-98	
CAD SEED FILE NO.			Thu May 04, 2000	
APPLICATION DO NOT SCALE DRAWING			SCALE	
WP-000181-00 PL 9.0			SIZE FSCM NO. DWG NO. REV	
NEXT ASSY USED ON			D SH-000181-00	
			SHEET 1 OF 1	

QSC AUDIO PRODUCTS, INC.
 COSTA MESA, CALIFORNIA

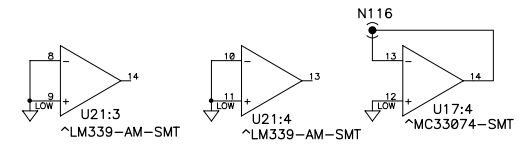
**SCHEMATIC DIAGRAM
 PL9.0 LINE FILTER 230VAC**

1 SH-000181-00 DWG NO.

THIS DOCUMENT CONTAINS PROPRIETARY INFORMATION WHICH IS THE PROPERTY OF QSC AUDIO PRODUCTS, THAT MAY NOT BE DISCLOSED, REPRODUCED OR USED WITHOUT EXPRESS WRITTEN CONSENT FROM QSC AUDIO PRODUCTS.



2. SYMBOL "*" BEFORE A COMPONENT VALUE DENOTES THAT COMPONENT IS SURFACE MOUNT.
 1. THIS DRAWING USED IN CONJUNCTION WITH ASSEMBLY WP-000174-00 AND FABRICATION DRAWING PC-000174-00.
- NOTES: UNLESS OTHERWISE SPECIFIED

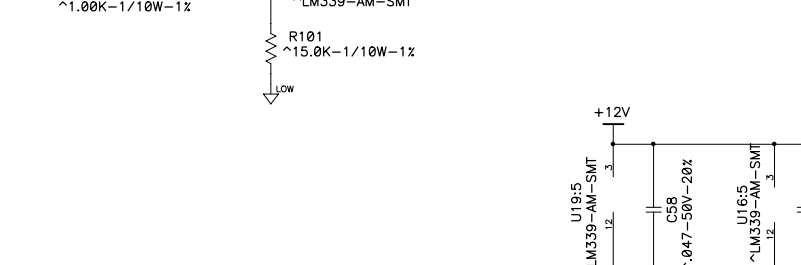
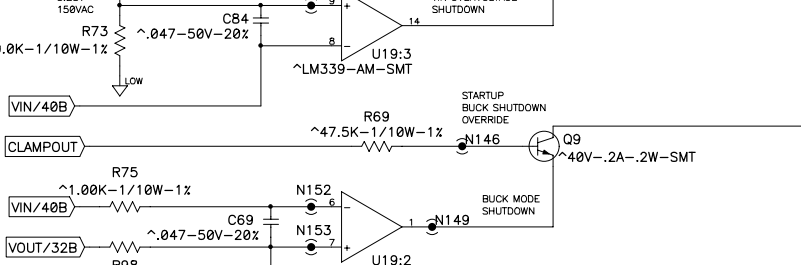
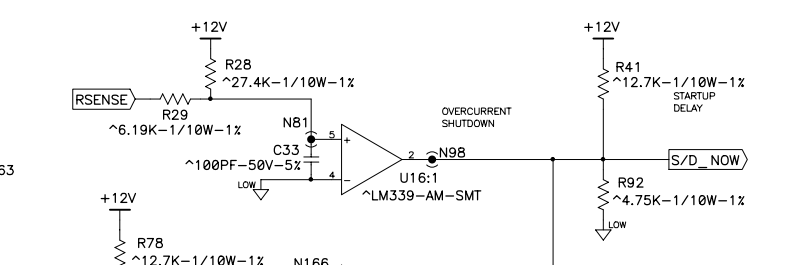
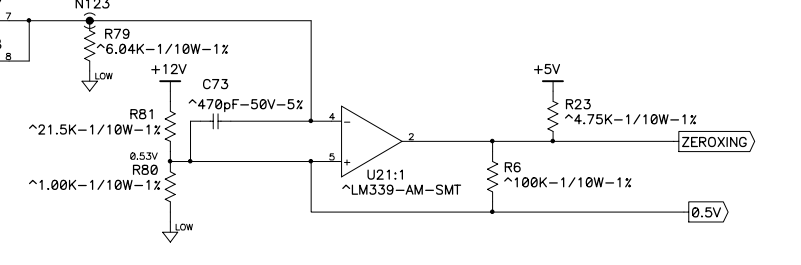
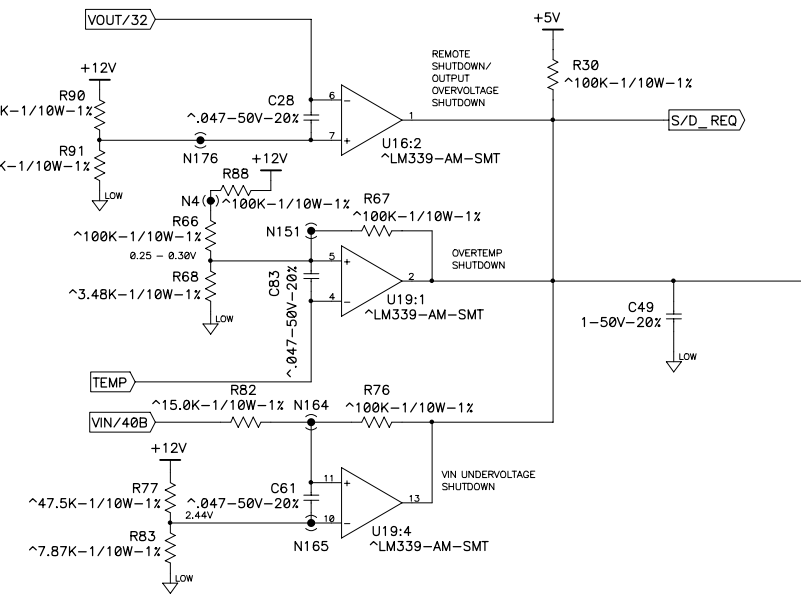
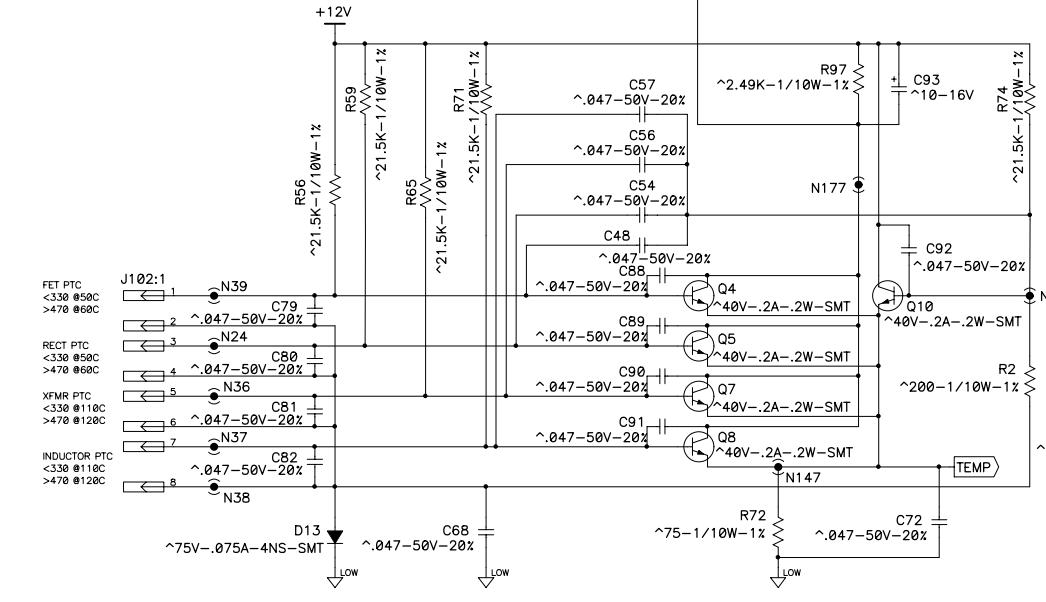
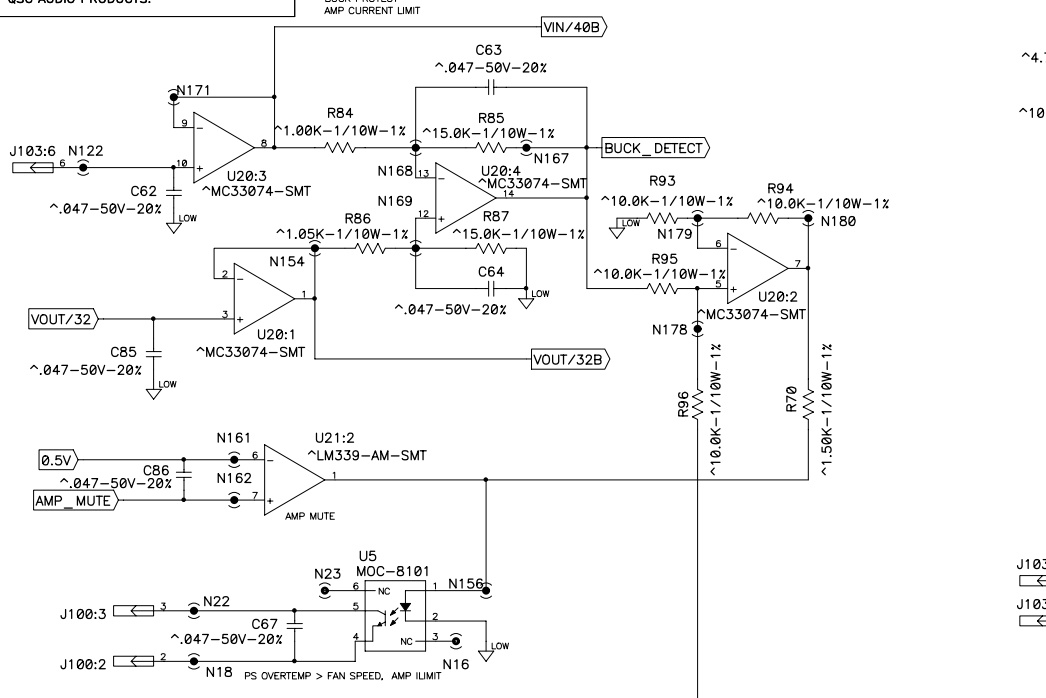


QTY	ITEM NO.	PART NO.	DESCRIPTION	VENDOR
PARTS LIST				
UNLESS OTHERWISE SPECIFIED DIMENSIONS ARE IN INCHES. DIMENSIONS PER ANSI Y14.5-1982 TOLERANCES ARE:			QSC AUDIO PRODUCTS, INC. COSTA MESA, CALIFORNIA	
DECIMALS	DECIMALS	ANGLES		
.XX ±	.XXX ±	0	SCHEMATIC DIAGRAM PL9.0 PWR SUPPLY CONTROLLER	
DEBURR EDGES .XXX R MAX				
MATERIAL			APPROVALS	DATE
FINISH			ERIC MENDENHALL	9/8/97
NEXT ASSY USED ON			CHECKED	RCM 5-13-98
APPLICATION			ISSUED	TIM SHOOK 5-15-98
DO NOT SCALE DRAWING			CAD SEED FILE NO.	PLOT DATE: Thu May 04, 2000
SCALE NONE			CAD FILE NO.	SH174-D.sch
SHEET 1 OF 2			REV	

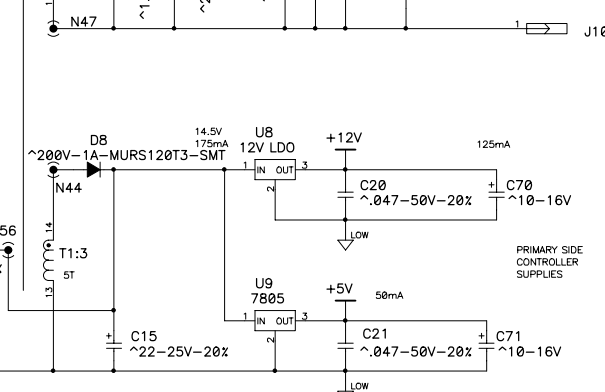
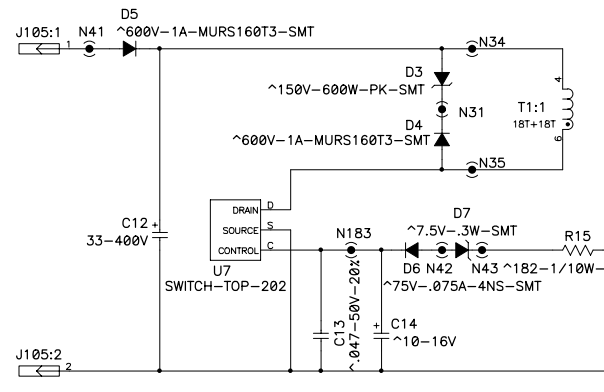
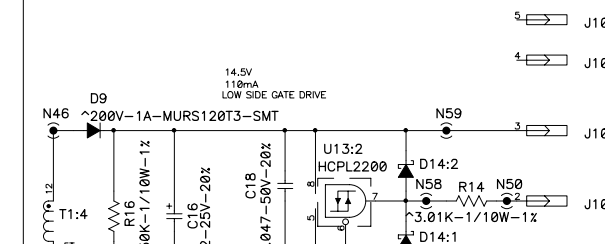
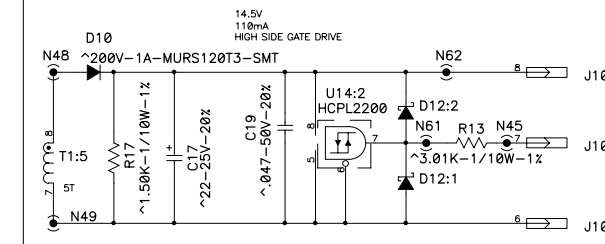
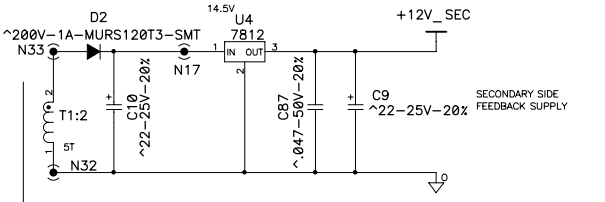
1 SH-000174-00 DWG NO.

THIS DOCUMENT CONTAINS PROPRIETARY INFORMATION WHICH IS THE PROPERTY OF QSC AUDIO PRODUCTS. THAT MAY NOT BE DISCLOSED, REPRODUCED OR USED WITHOUT EXPRESS WRITTEN CONSENT FROM QSC AUDIO PRODUCTS.

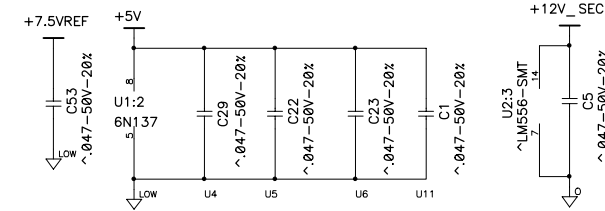
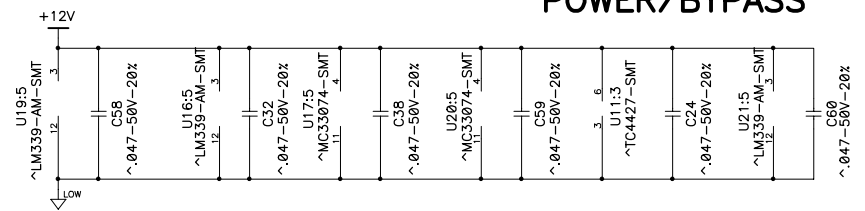
PROTECTION



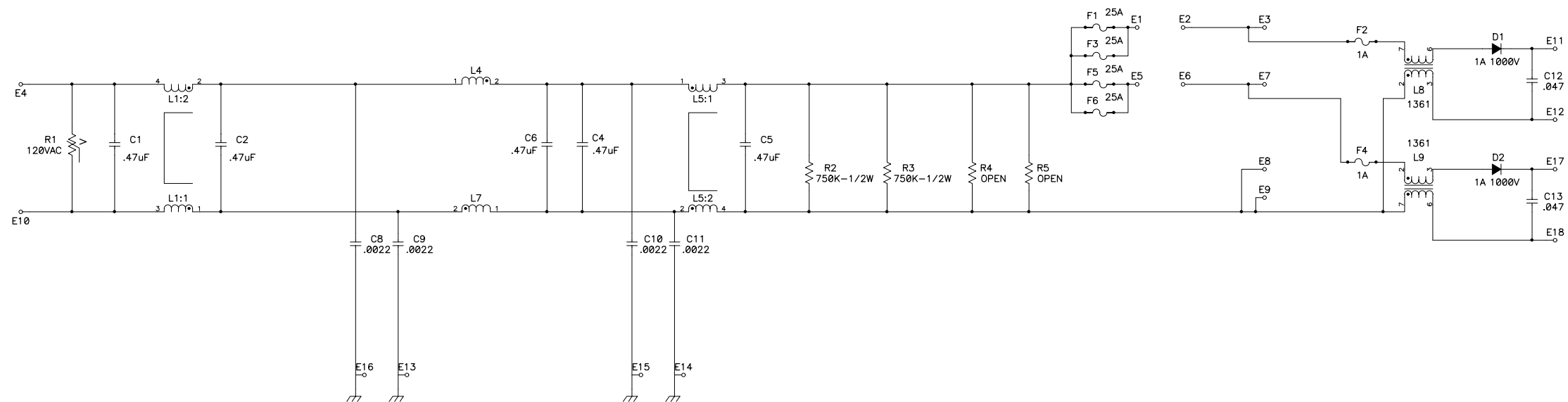
HOUSEKEEPING SUPPLY



POWER/BYPASS



THIS DOCUMENT CONTAINS PROPRIETARY INFORMATION WHICH IS THE PROPERTY OF QSC AUDIO PRODUCTS, THAT MAY NOT BE DISCLOSED, REPRODUCED OR USED WITHOUT EXPRESS WRITTEN CONSENT FROM QSC AUDIO PRODUCTS.



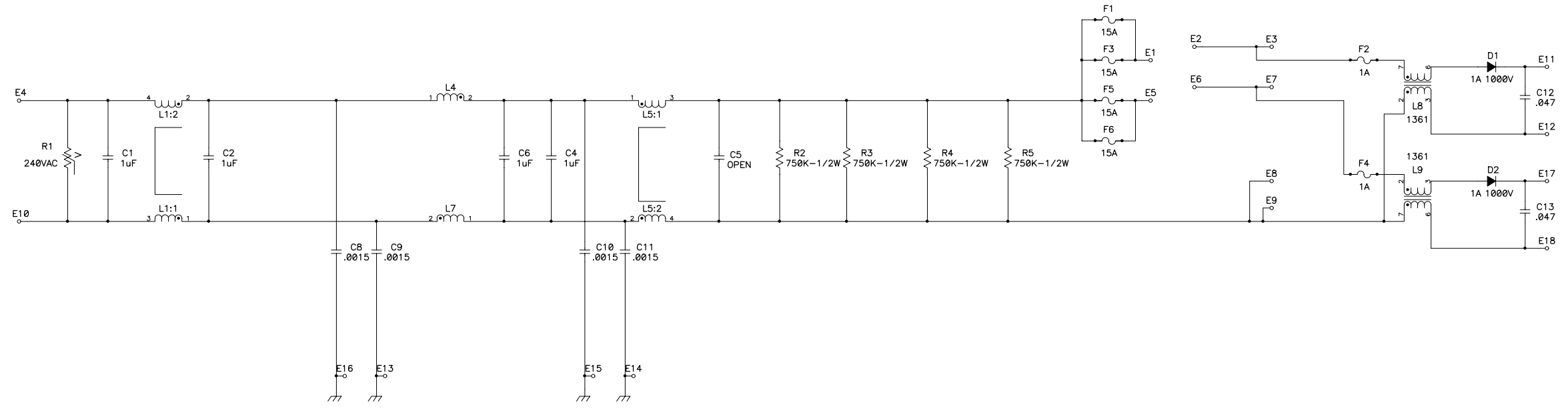
1. THIS DRAWING USED IN CONJUNCTION WITH ASSEMBLY WP-000177-00 AND FABRICATION DRAWING PC-000177-00.
 NOTES: UNLESS OTHERWISE SPECIFIED

QTY	ITEM NO.	PART NO.	DESCRIPTION	VENDOR
PARTS LIST				
UNLESS OTHERWISE SPECIFIED DIMENSIONS ARE IN INCHES. DIMENSIONS PER ANSI Y14.5-1982 TOLERANCES ARE: DECIMALS DECIMALS ANGLES .XX ± .XXX ± °			CONTRACT NO.	
DEBURR EDGES .XXX R MAX			APPROVALS DATE	
MATERIAL			DRAWN ERIC MENDENHALL 2-9-98	
FINISH			CHECKED RCM 5-13-98	
WP-000177-00	PL 9.0		ISSUED TIM SHOOK 5-15-98	
NEXT ASSY	USED ON		PLOT DATE: Thu May 04, 2000	
APPLICATION			DO NOT SCALE DRAWING	

QSC AUDIO PRODUCTS, INC. COSTA MESA, CALIFORNIA	
SCHEMATIC DIAGRAM PL9.0 LINE FILTER 120VAC	
SIZE D	FSCM NO.
DWG NO. SH-000177-00	REV
SCALE NONE	CAD FILE NO. SH177-B.sch
SHEET 1 OF 1	

1 SH-000177-00 DWG NO.

THIS DOCUMENT CONTAINS PROPRIETARY INFORMATION WHICH IS THE PROPERTY OF QSC AUDIO PRODUCTS, THAT MAY NOT BE DISCLOSED, REPRODUCED OR USED WITHOUT EXPRESS WRITTEN CONSENT FROM QSC AUDIO PRODUCTS.



1. THIS DRAWING USED IN CONJUNCTION WITH ASSEMBLY WP-000181-00 AND FABRICATION DRAWING PC-000177-00.
 NOTES: UNLESS OTHERWISE SPECIFIED

QTY	ITEM NO.	PART NO.	DESCRIPTION	VENDOR
PARTS LIST				
UNLESS OTHERWISE SPECIFIED DIMENSIONS ARE IN INCHES. DIMENSIONS PER ANSI Y14.5-1982 TOLERANCES ARE: DECIMALS DECIMALS ANGLES .XX ± .XXX ± °			CONTRACT NO.	
DRAWN ERIC MENDENHALL			APPROVALS	
CHECKED RCM			DATE 2-9-98	
ISSUED TIM SHOOK			DATE 5-14-98	
CAD SEED FILE NO.			SCALE	
APPLICATION DO NOT SCALE DRAWING			DATE Thu May 04, 2000	
NEXT ASSY USED ON			SIZE D	
WP-000181-00 PL 9.0			FSCM NO.	
NEXT ASSY USED ON			DWG NO. SH-000181-00	
APPLICATION DO NOT SCALE DRAWING			REV 1	
APPLICATION DO NOT SCALE DRAWING			SHEET 1 OF 1	

QSC AUDIO PRODUCTS, INC.
COSTA MESA, CALIFORNIA

SCHEMATIC DIAGRAM
PL9.0 LINE FILTER 230VAC

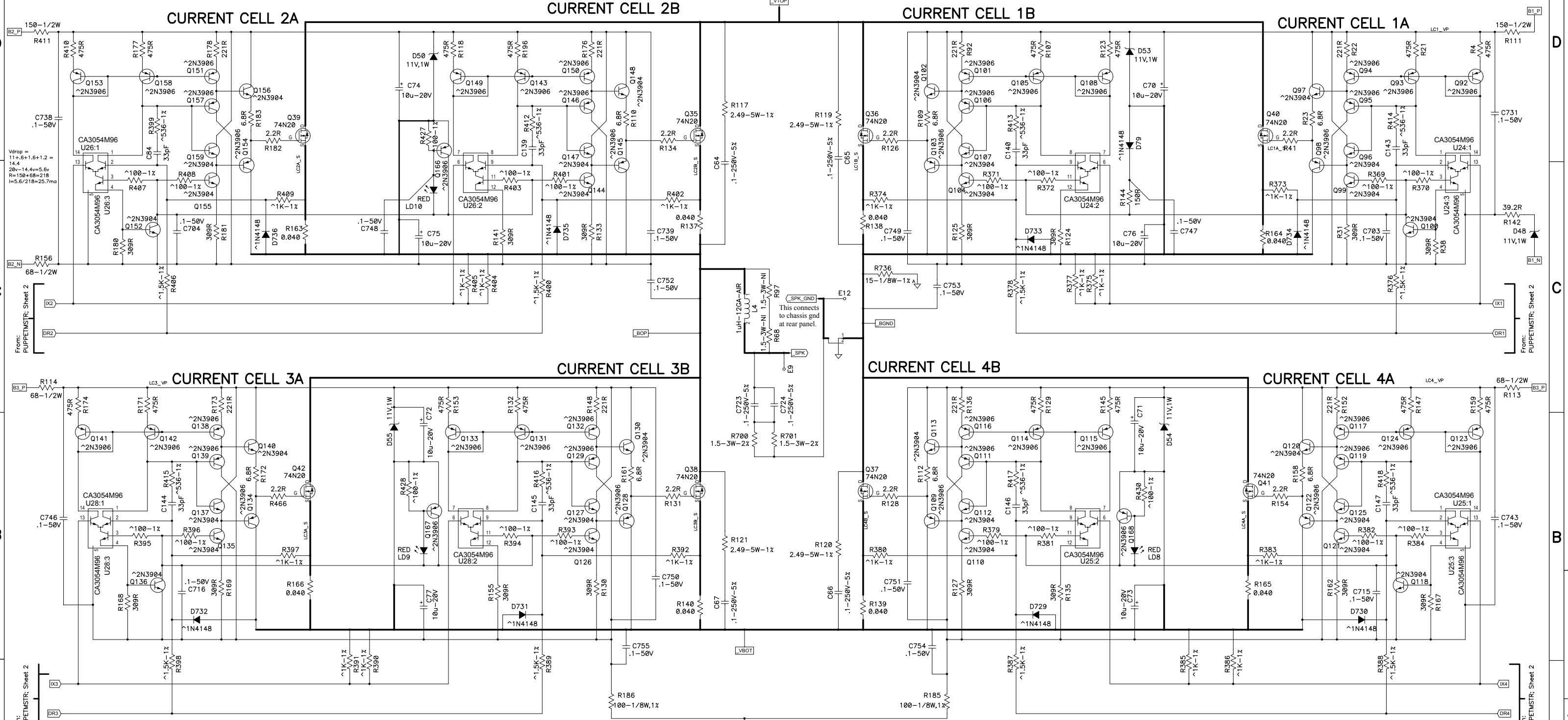
1 SH-000181-00
REV

THIS DOCUMENT CONTAINS PROPRIETARY INFORMATION WHICH IS THE PROPERTY OF QSC AUDIO PRODUCTS, THAT MAY NOT BE DISCLOSED, REPRODUCED OR USED WITHOUT EXPRESS WRITTEN CONSENT FROM QSC AUDIO PRODUCTS.

LC_OUTPUTS

Supplies: B1 = 30v at 100mA
 B2 = 20v at 50mA
 B3 = 40v at 60mA
 B4 = 27v at 50mA

REVISION			
REV	DESCRIPTION	EFF. DATE	CHK / APPROVED / DATE
A	PRODUCTION RELEASE PER ECO 5894 AA	9-12-03	



From: PUPPETMSTR, Sheet 2

From: PUPPETMSTR, Sheet 2

- THIS DRAWING USED IN CONJUNCTION WITH ASSEMBLY WP-000182-00.
 - COMPONENTS WITH VALUE PREFIXED WITH A "*" REPRESENT SMT COMPONENTS.
 - ALL CAPACITORS 100V, TOLERANCE 20% FOR ELECTROLYTIC TYPES, 10% ON ALL OTHERS.
 - R1, shown on MANAGEMENT sheet, IS A POSITIVE TEMPERATURE COEFFICIENT RESISTOR MOUNTED TO HEAT SINK. RESISTANCE IS 100 MAX OHM COLD.
- NOTES: UNLESS OTHERWISE SPECIFIED

Supplies: B1 = 30v at 100mA
 B2 = 20v at 50mA
 B3 = 40v at 60mA
 B4 = 27v at 50mA

Puppetmaster voltages:
 18.6 volts of zener in series with 56 ohms.
 Stackup:
 11
 2.4
 1.2
 18.6
 = 33.2 volts of zener drop
 40 volts available.

QTY	ITEM NO.	PART NO.	DESCRIPTION	VENDOR
UNLESS OTHERWISE SPECIFIED DIMENSIONS ARE IN INCHES. DIMENSIONS PER ANSI Y14.5-1982 TOLERANCES ARE:				
DECIMALS	DECIMALS	ANGLES		
.XX ±	.XXX ±	0		
DEBURR EDGES .XXX R MAX			APPROVALS	
MATERIAL			DATE	
FINISH			DRAWN P. IERYMENKO 11-30-95	
NEXT ASSY			CHECKED	
USED ON			ISSUED	
APPLICATION			CAD SEED FILE NO.	
DO NOT SCALE DRAWING			PLOT DATE: Mon Nov 13, 2006	
			SCALE NONE	
			CAD FILE NO. SH00182A.SCH	
			SHEET 1 OF 7	

QSC AUDIO PRODUCTS, INC.
 COSTA MESA, CALIFORNIA

SCHEMATIC DIAGRAM
MAIN PCB, PL 9.0

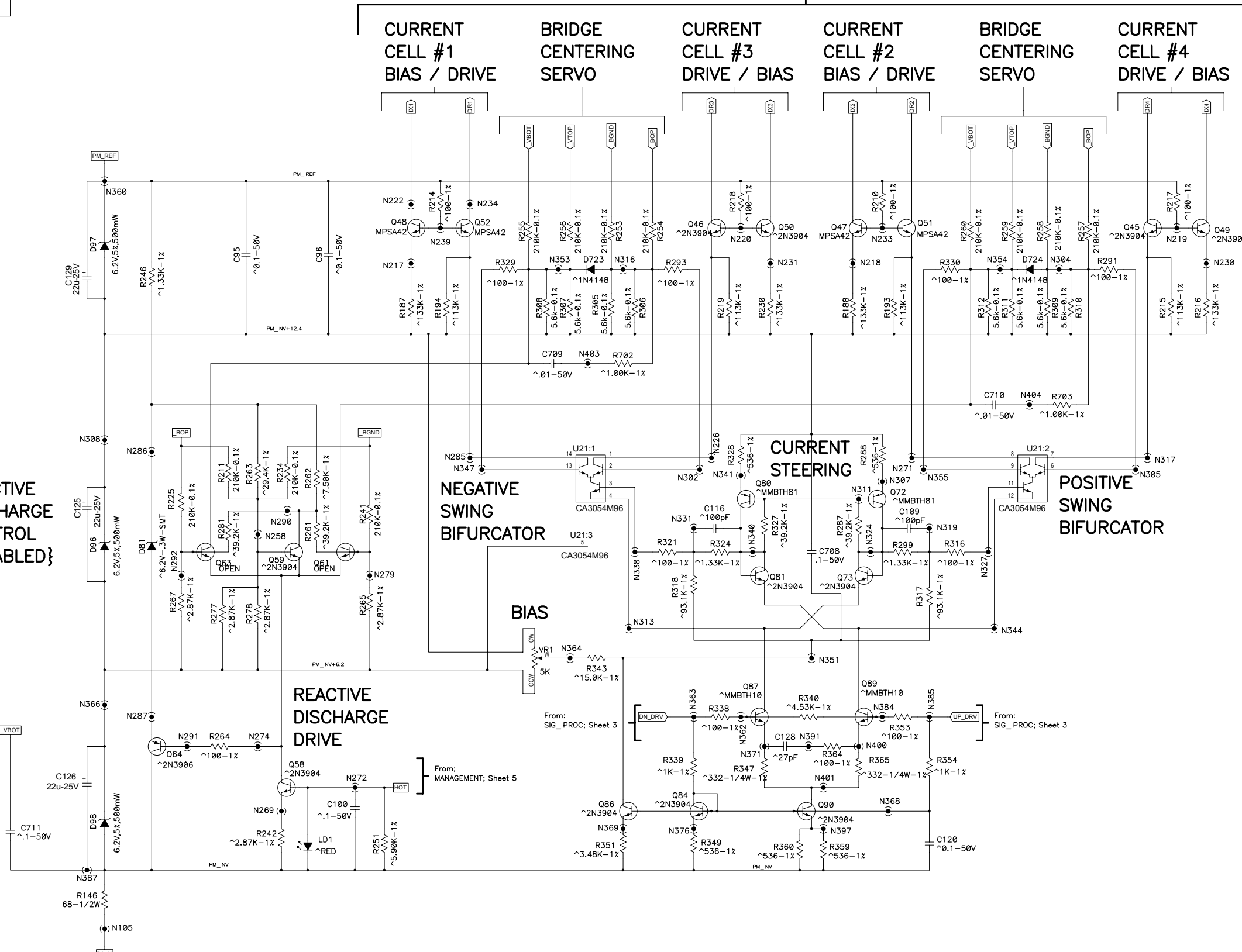
SIZE: FSCM NO. DWG NO. SH-000182-00 REV A

A REV 1 SH-000182-00 DWG NO.

THIS DOCUMENT CONTAINS PROPRIETARY INFORMATION WHICH IS THE PROPERTY OF QSC AUDIO PRODUCTS, THAT MAY NOT BE DISCLOSED, REPRODUCED OR USED WITHOUT EXPRESS WRITTEN CONSENT FROM QSC AUDIO PRODUCTS.

PUPPETMSTR

To:
LC_OUTPUTS; Sheet 1



REACTIVE DISCHARGE CONTROL {DISABLED}

REACTIVE DISCHARGE DRIVE

NEGATIVE SWING BIFURCATOR

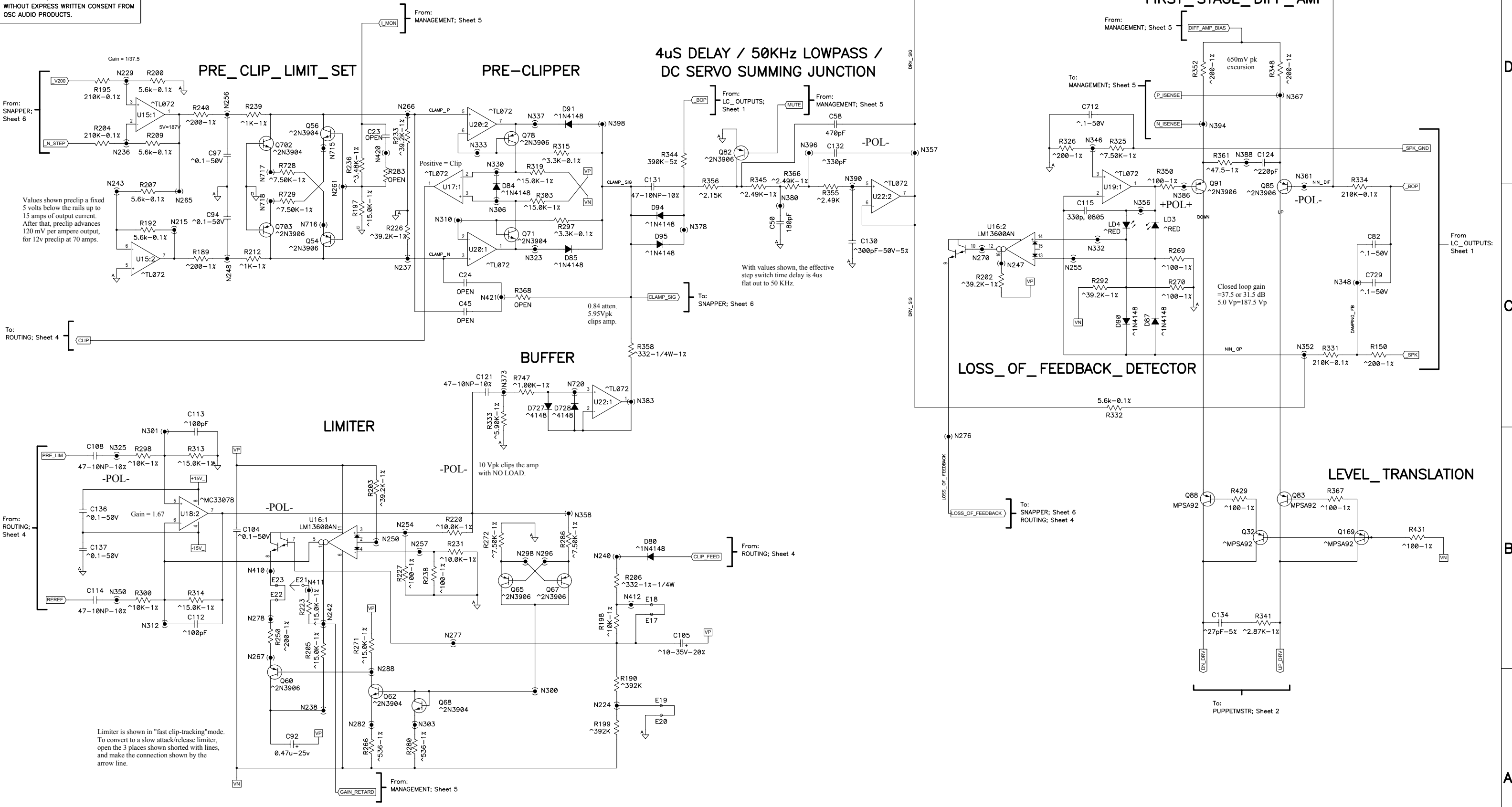
BIAS

CURRENT STEERING

POSITIVE SWING BIFURCATOR

THIS DOCUMENT CONTAINS PROPRIETARY INFORMATION WHICH IS THE PROPERTY OF QSC AUDIO PRODUCTS, THAT MAY NOT BE DISCLOSED, REPRODUCED OR USED WITHOUT EXPRESS WRITTEN CONSENT FROM QSC AUDIO PRODUCTS.

SIG_PROC



Gain = 1/37.5

Values shown preclip a fixed 5 volts below the rails up to 15 amps of output current. After that, preclip advances 120 mV per ampere output, for 12v preclip at 70 amps.

4µs DELAY / 50kHz LOWPASS / DC SERVO SUMMING JUNCTION

With values shown, the effective step switch time delay is 4µs flat out to 50 KHz.

FIRST_STAGE_DIFF_AMP

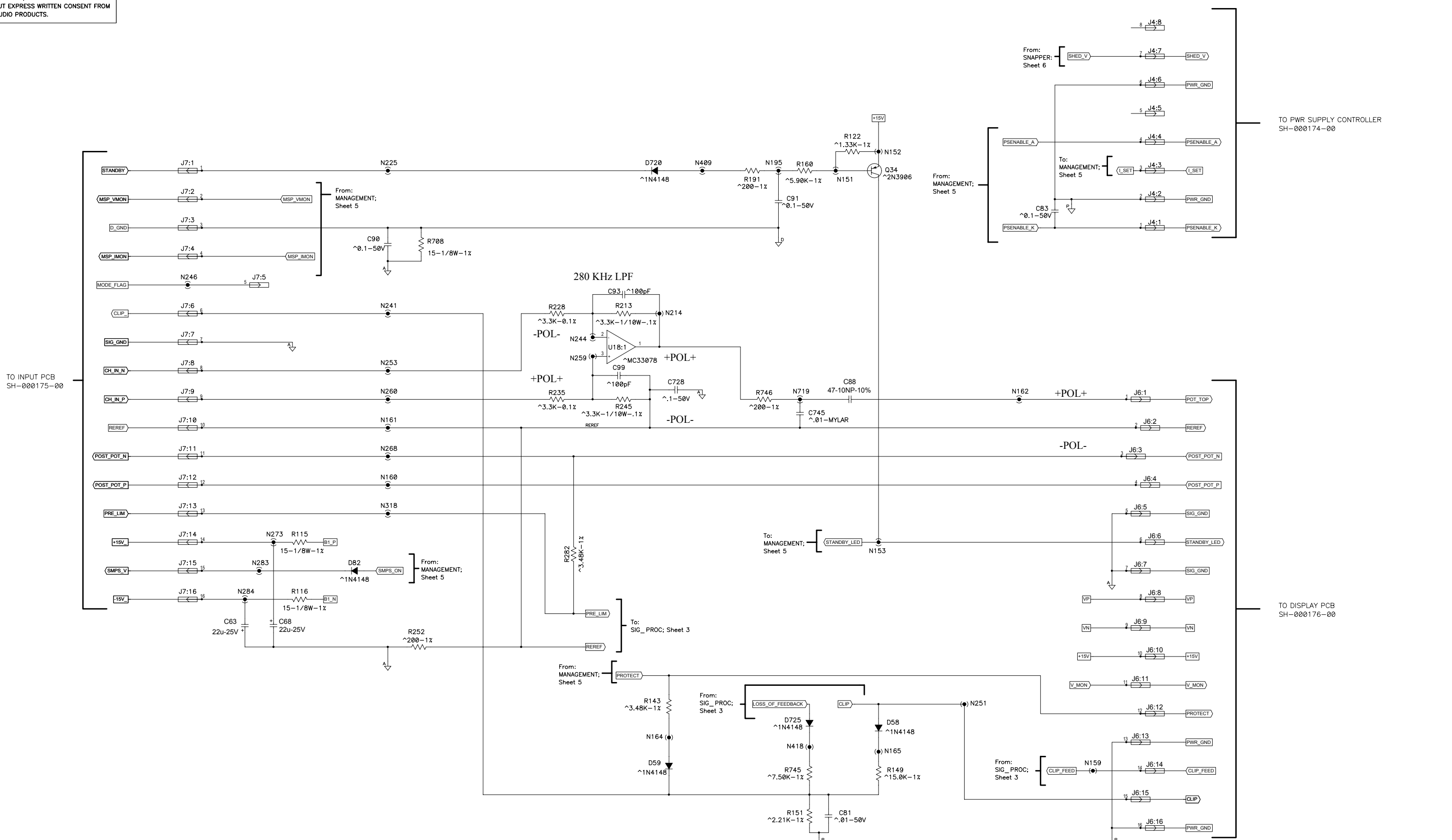
LOSS_OF_FEEDBACK_DETECTOR

LEVEL_TRANSLATION

Limiter is shown in "fast clip-tracking" mode. To convert to a slow attack/release limiter, open the 3 places shown shorted with lines, and make the connection shown by the arrow line.

THIS DOCUMENT CONTAINS PROPRIETARY INFORMATION WHICH IS THE PROPERTY OF QSC AUDIO PRODUCTS, THAT MAY NOT BE DISCLOSED, REPRODUCED OR USED WITHOUT EXPRESS WRITTEN CONSENT FROM QSC AUDIO PRODUCTS.

ROUTING

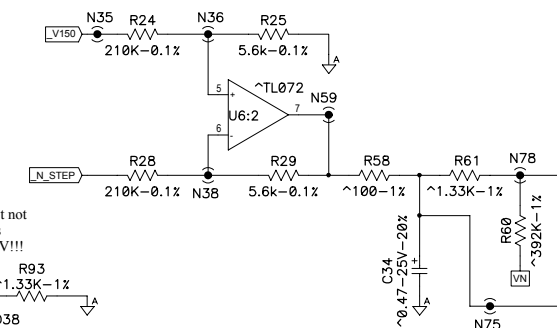


SH-000182-00
 REV 4
 A

THIS DOCUMENT CONTAINS PROPRIETARY INFORMATION WHICH IS THE PROPERTY OF QSC AUDIO PRODUCTS, THAT MAY NOT BE DISCLOSED, REPRODUCED OR USED WITHOUT EXPRESS WRITTEN CONSENT FROM QSC AUDIO PRODUCTS.

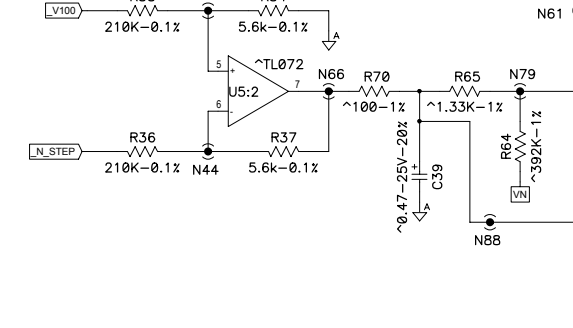
SNAPPER

THRESHOLD DETECTOR / COMPARATOR



NOTE: This opamp must not clamp its input terminals together. TL072 or EQIV!!!

THRESHOLD DETECTOR / COMPARATOR



THRESHOLD DETECTOR / COMPARATOR

